



2022 | Medical Power Solutions

Product Portfolio



Company Profile

TRACO Electronic AG is a Swiss company with headquarters based in Baar, Switzerland. As a leading power supply specialist with more than 40 years experience we are dedicated to the design and manufacturing of high quality DC/DC and AC/DC power conversion products.

TRACO markets its products worldwide under the registered trademark TRACO POWER. Our mission is to provide our customers with optimal power supply solutions in terms of performance, quality and cost for their individual application.

TRACO POWER Products for applied versus non applied medical requirements

For non-applied parts sections of medical equipment, power and safety requirements can be satisfied by any of Traco Power power supplies, non-medical for 1 × MOPP applications and medical rated power supplies for all other MOPP levels. If this part of the system is attaching to a DC input from a non-medical rated power supply, then use of our DC/DC Converters should satisfy safety requirements for 1 × MOPP / 2 × MOPP applications.

For applied parts sections of medical equipment, the clearance and creepage distances, as well as a secondary isolation barrier are required to further isolate the patient from potentially high voltages (2 × MOPP is means of patient protection). The isolation barrier may be satisfied using Traco Power medical rated 2 × MOPP AC/DC power supplies or DC/DC converters.

Even this reinforced insulation system does not unconditionally qualify a power supply unit and DC/DC converter for medical applications. Particular and collateral standards also require that a risk/quality management System be in place at the component level, especially for safety critical applications.

TRACO POWER products for applied parts applications with a 2 × MOPP rating, have been carefully designed and manufactured to the highest standards to meet the increased quality, reliability and safety standards for medical equipment. These products have fully regulated output voltages and feature:

- Product certification according to IEC/EN/ES 60601-1 3rd edition for 2 × MOPP
- Risk management process according to ISO 14971 including risk management file
- EMC emission and immunity according to IEC 60601-1-2 edition 4
- Acceptance criteria for electronic assemblies according to IPC-A-610 Level 3
- Design and production according to ISO 13485 quality management system
- 5-year product warranty

DC/DC converters 1-60 Watt 2:1 | 4:1 AC/DC power supplies 5-850 Watt

Features

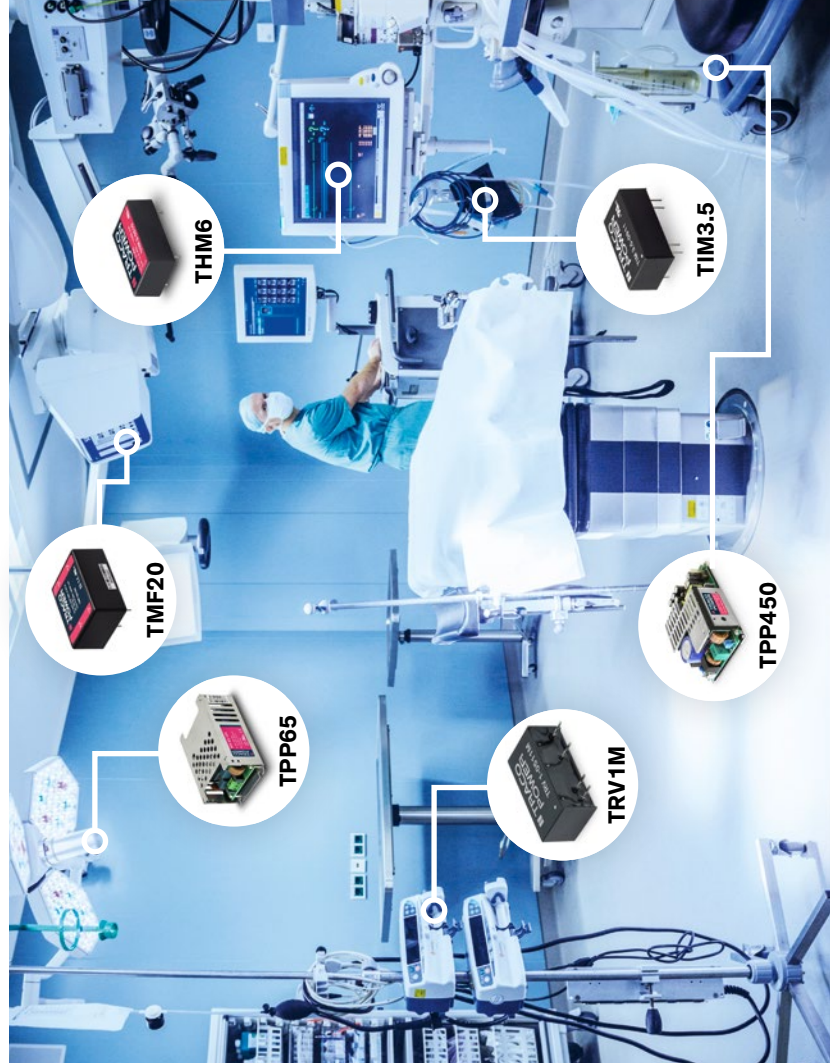
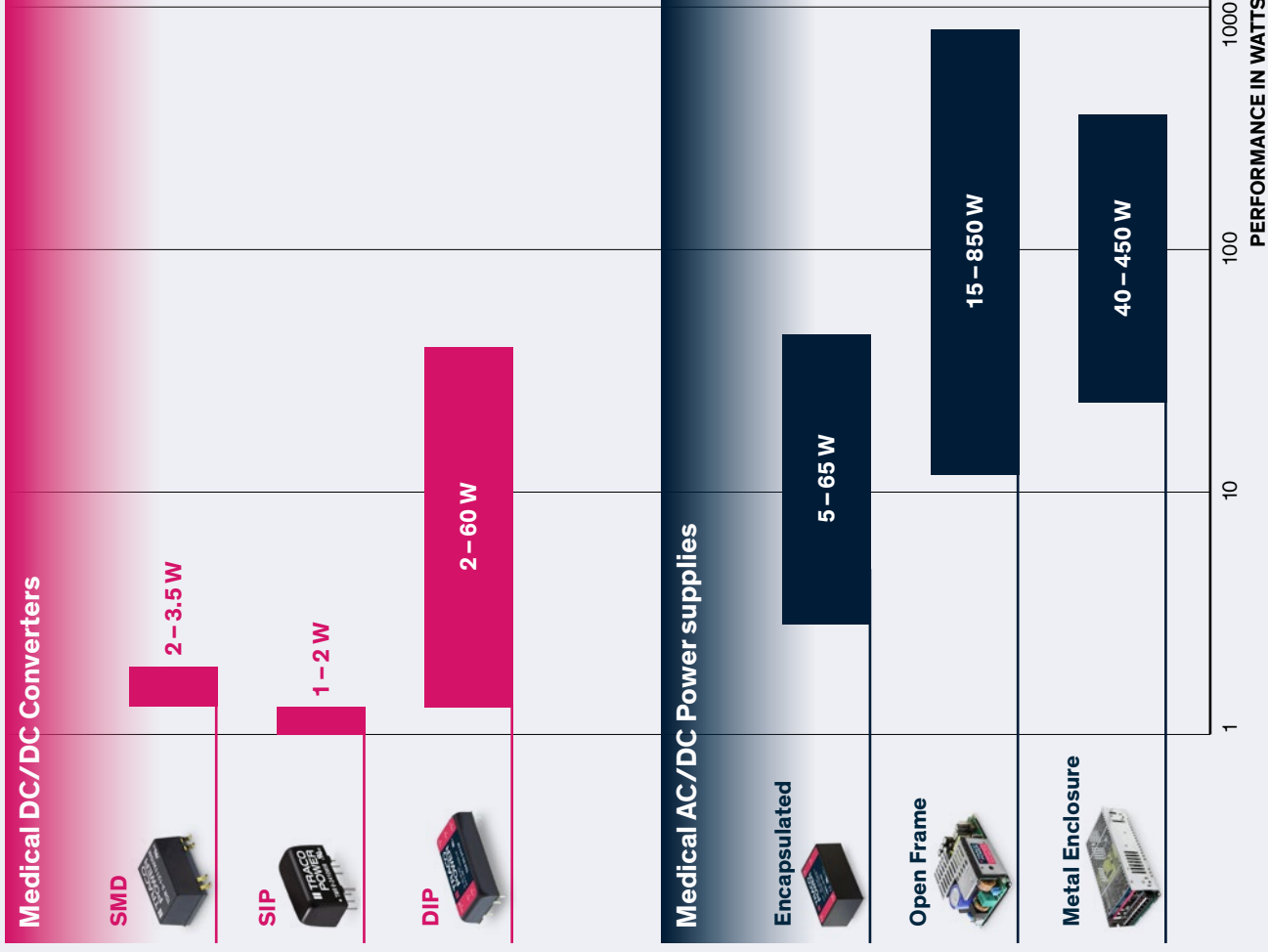
- IEC/EN/ES 60601-1
3rd Edition for 2 X MOPP
- Risk Management ISO 14971
- IPC-A-610 Class 3

High Performance Acceptability

- EMC Emission to IEC 60601-1-2 ed. 4
- Quality Management ISO 13485
- 5-year Warranty

Standards and Directives

- ISO 9001
- ISO 14001
- RoHS
- REACH
- EMC Acc. EN55032
- ErP Directive



Index

DC/DC Converters

	Footprint	Mounting	Input	Housing	I/O isolation			
TRV 1M	SIP-9	PCB	±10%	Encapsulated	5000 VAC	2×MOPP		1 Watt 6
TRV 2M	SIP-9	PCB	±10%	Encapsulated	5000 VAC	2×MOPP	NEW	2 Watt 7
TIM 2	DIP-16	PCB	2:1	Encapsulated	5000 VAC	2×MOPP		2 Watt 7
TIM 2SM	DIP-16	SMD	2:1	Encapsulated	5000 VAC	2×MOPP		2 Watt 8
TIM 3.5	DIP-16	PCB	2:1	Encapsulated	5000 VAC	2×MOPP		3.5 Watt 8
TIM 3.5SM	DIP-16	SMD	2:1	Encapsulated	5000 VAC	2×MOPP		3.5 Watt 9
THM 3	DIP-24	PCB	2:1	Encapsulated	5000 VAC	2×MOPP		3 Watt 9
THM 3WI	DIP-24	PCB	4:1	Encapsulated	5000 VAC	2×MOPP		3 Watt 10
THM 6	DIP-24	PCB	2:1	Encapsulated	5000 VAC	2×MOPP		6 Watt 10
TIM 6	DIP-24	PCB	2:1	Encapsulated	5000 VAC	2×MOPP	NEW under development	6 Watt 11
THM 6WI	DIP-24	PCB	4:1	Encapsulated	5000 VAC	2×MOPP		6 Watt 11
THM 10	DIP-24	PCB	2:1	Encapsulated	5000 VAC	2×MOPP		10 Watt 12
THM 10WI	DIP-24	PCB	4:1	Encapsulated	5000 VAC	2×MOPP		10 Watt 12
THM 15	1.6"×1.0"	PCB	2:1	Encapsulated	5000 VAC	2×MOPP		15 Watt 13
THM 15WI	1.6"×1.0"	PCB	4:1	Encapsulated	5000 VAC	2×MOPP		15 Watt 13
THM 20	1.6"×1.0"	PCB	2:1	Encapsulated	5000 VAC	2×MOPP		20 Watt 14
THM 20WI	1.6"×1.0"	PCB	4:1	Encapsulated	5000 VAC	2×MOPP		20 Watt 14
THM 30	2.0"×1.0"	PCB	2:1	Encapsulated	5000 VAC	2×MOPP		30 Watt 15
THM 30WI	2.0"×1.0"	PCB	4:1	Encapsulated	5000 VAC	2×MOPP		30 Watt 15
THM 60WI	2.28"×1.45"	PCB	4:1	Encapsulated	5000 VAC	2×MOPP	NEW	60 Watt 16

AC/DC Power Supplies

	Footprint	Mounting	Input	Housing	I/O isolation			
TMF 05	1.6"×1.0"	PCB	85–264 VAC	Encapsulated	4000 VAC	2×MOPP		5 Watt 17
TMF 10	2.0"×1.0"	PCB	90–264 VAC	Encapsulated	4000 VAC	2×MOPP		10 Watt 18
TPP 15A-J	2.6"×1.0"	Chassis	85–264 VAC	Open frame	4000 VAC	2×MOPP		15 Watt 18
TPP 15A-D	1.5"×1.0"	PCB	85–264 VAC	Open frame	4000 VAC	2×MOPP		15 Watt 19
TPP 15-J	2.82"×1.14"	Chassis	85–264 VAC	Encapsulated	4000 VAC	2×MOPP		15 Watt 19
TPP 15-D	1.65"×1.14	PCB	85–264 VAC	Encapsulated	4000 VAC	2×MOPP		15 Watt 20
TMF 20	2.16"×1.78"	PCB	90–264 VAC	Encapsulated	4000 VAC	2×MOPP		20 Watt 20
TMW 24	2.09"×2.0"	Flush box	85–264 VAC	Encapsulated (IP68)	4000 VAC	2×MOPP	NEW	24 Watt 21
TMF 30	2.52"×1.80"	PCB	90–264 VAC	Encapsulated	4000 VAC	2×MOPP		30 Watt 21
TPP 30A-J	3.34"×1.36"	Chassis	85–264 VAC	Open frame	4000 VAC	2×MOPP		30 Watt 22
TPP 30A-D	2.74"×1.1"	PCB	85–264 VAC	Open frame	4000 VAC	2×MOPP		30 Watt 22
TPP 30-J	3.95"×1.5"	Chassis	85–264 VAC	Encapsulated	4000 VAC	2×MOPP		30 Watt 23
TPP 30-D	2.89"×1.50	PCB	85–264 VAC	Encapsulated	4000 VAC	2×MOPP		30 Watt 23
TMW 36	2.09"×2.0"	Flush box	85–264 VAC	Encapsulated (IP68)	4000 VAC	2×MOPP	NEW	36 Watt 24
TPP 40A	3"×2"	Chassis	85–264 VAC	Open frame	4000 VAC	2×MOPP		40 Watt 24
TPP 40	3.53"×2.38"	Chassis	85–264 VAC	Encased	4000 VAC	2×MOPP		40 Watt 25
TPP 40E-J	4.3"×2.2"	Chassis	85–264 VAC	Encapsulated	4000 VAC	2×MOPP	NEW	40 Watt 25
TPP 40E-D	3.2"×2.2"	PCB	85–264 VAC	Encapsulated	4000 VAC	2×MOPP	NEW	40 Watt 26
TPP 65A	3"×2"	Chassis	85–264 VAC	Open frame	4000 VAC	2×MOPP		65 Watt 26
TPP 65	3.53"×2.38"	Chassis	85–264 VAC	Encased	4000 VAC	2×MOPP		65 Watt 27
TPP 65E-J	4.3"×2.2"	Chassis	85–264 VAC	Encapsulated	4000 VAC	2×MOPP	NEW	65 Watt 27

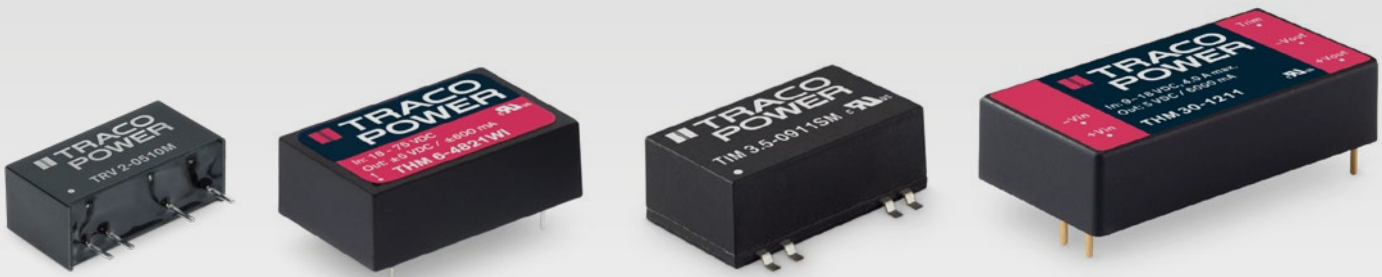
Index

	Footprint	Mounting	Input	Housing	I/O isolation				
TPP 65E-D	3.2"×2.2"	PCB	85–264 VAC	Encapsulated	4000 VAC	2×MOPP	NEW	65 Watt	28
TPP 100A-J	3"×2"	Chassis	85–264 VAC	Open frame	4000 VAC	2×MOPP		100 Watt	28
TPP 100	3.6"×2.44"	Chassis	85–264 VAC	Encased	4000 VAC	2×MOPP		100 Watt	29
TPP 150A-J	4×2"	Chassis	85–264 VAC	Open frame	4000 VAC	2×MOPP		150 Watt	29
TPP 150	4.6"×2.44"	Chassis	85–264 VAC	Encased	4000 VAC	2×MOPP		150 Watt	30
TPP 180A-M	3"×2"	Chassis	85–264 VAC	Open frame	4000 VAC	2×MOPP	NEW	180 Watt	30
TPP 180-M	3.6"×2.44"	Chassis	85–264 VAC	Encased	4000 VAC	2×MOPP	NEW	180 Watt	31
TPP 250A	4"×2"	Chassis	85–264 VAC	Open frame	4000 VAC	2×MOPP	NEW under development	250 Watt	31
TPP 250A-FK	4"×2"	Chassis	85–264 VAC	Open frame with fan-kit	4000 VAC	2×MOPP	NEW under development	250 Watt	32
TPP 300A-M	4×2"	Chassis	85–264 VAC	Open frame	4000 VAC	2×MOPP	NEW	300 Watt	32
TPP 300-M	4×2"	Chassis	85–264 VAC	Encased	4000 VAC	2×MOPP	NEW	300 Watt	33
TPP 450BA	5×3"	Chassis	85–264 VAC	Open frame	4000 VAC	2×MOPP		450 Watt	33
TPP 450B	5.83×3"	Chassis	85–264 VAC	Encased	4000 VAC	2×MOPP		450 Watt	34
TPP 600A	5"×3"	Chassis	85–264 VAC	Open frame	4000 VAC	2×MOPP	NEW under development	600 Watt	34
TPP 600A-FK	5"×3"	Chassis	85–264 VAC	Open frame with fan-kit	4000 VAC	2×MOPP	NEW under development	600 Watt	35
TPP 850A	6"×4"	Chassis	85–264 VAC	Open frame	4000 VAC	2×MOPP	NEW	850 Watt	35
TPP 850A-FK	6"×4"	Chassis	85–264 VAC	Open frame with fan-kit	4000 VAC	2×MOPP	NEW	850 Watt	36

DC/DC converters

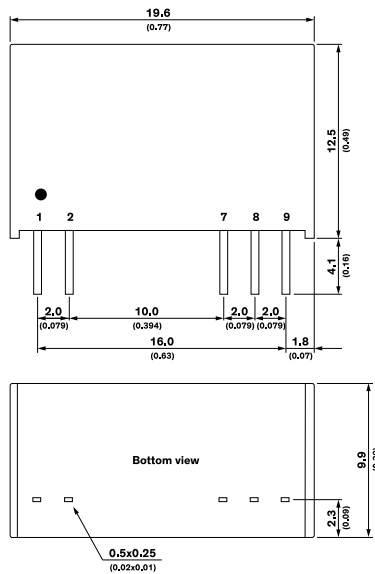
1 – 60 watt

- IEC/EN/ES 60601-1 3rd Edition for 2 × MOPP
- Risk Management ISO 14971
- IPC-A-610 Class 3 High Performance Acceptability
- EMC Emission acc. to IEC 60601-1-2 ed. 4
- Quality Management ISO 13485
- 5-years warranty



TRV 1M

1 Watt



- Semi regulation
- Medical safety approval (2 × MOPP)
- 5000 VAC I/O-isolation (reinforced)
- Operating temperature: -40°C to 85°C w/o derating
- ±10%/ ±20% Input 5 to 24 VDC
- 3.3 to 15 VDC output voltage
- 19.6 × 9.9 × 12.5 mm

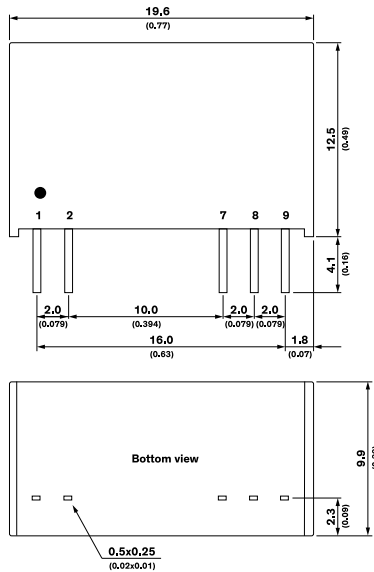
Pinout / Connection		
Pin	Single Output	Dual Output
1	+Vin	+Vin
2	-Vin	-Vin
7	-Vout	-Vout
8	No pin	Common
9	+Vout	+Vout

Model	Input	Vout	Iout	Efficiency
TRV 1-0510M	5 VDC ± 10%	3.3 VDC	303 mA	80%
TRV 1-0511M		5 VDC	200 mA	82%
TRV 1-0512M		12 VDC	83 mA	85%
TRV 1-0513M		15 VDC	67 mA	84%
TRV 1-0521M		±5 VDC	±100 mA	85%
TRV 1-0522M		±12 VDC	±42 mA	85%
TRV 1-0523M	±15 VDC	±34 mA	84%	
TRV 1-1210M	12 VDC ± 20%	3.3 VDC	303 mA	80%
TRV 1-1211M		5 VDC	200 mA	82%
TRV 1-1212M		12 VDC	83 mA	84%
TRV 1-1213M		15 VDC	67 mA	83%
TRV 1-1221M		±5 VDC	±100 mA	82%
TRV 1-1222M		±12 VDC	±42 mA	83%
TRV 1-1223M	±15 VDC	±34 mA	83%	
TRV 1-1510M	15 VDC ± 20%	3.3 VDC	303 mA	79%
TRV 1-1511M		5 VDC	200 mA	83%
TRV 1-1512M		12 VDC	83 mA	84%
TRV 1-1513M		15 VDC	67 mA	84%
TRV 1-1521M		±5 VDC	±100 mA	82%
TRV 1-1522M		±12 VDC	±42 mA	83%
TRV 1-1523M	±15 VDC	±34 mA	83%	
TRV 1-2410M	24 VDC ± 20%	3.3 VDC	303 mA	78%
TRV 1-2411M		5 VDC	200 mA	82%
TRV 1-2412M		12 VDC	83 mA	83%
TRV 1-2413M		15 VDC	67 mA	83%
TRV 1-2421M		±5 VDC	±100 mA	80%
TRV 1-2422M		±12 VDC	±42 mA	81%
TRV 1-2423M	±15 VDC	±34 mA	81%	

TRV 2M

NEW!

2 Watt



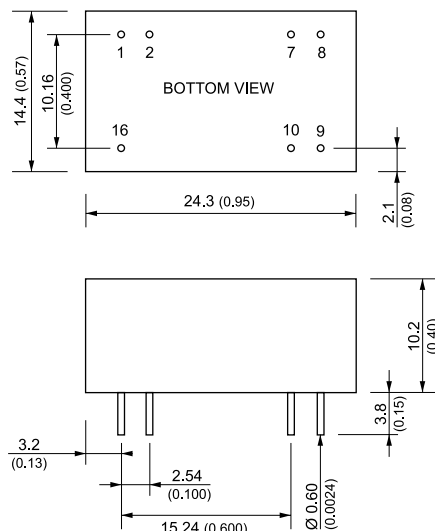
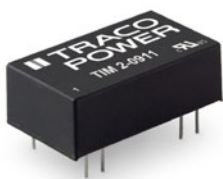
- I/O isolation 5000 VAC (reinforced)
- Short circuit protection
- Semi-regulated outputs
- ±10% Input 5 to 24 VDC
- Operating temperature range -40 to +75 °C without derating
- IEC/EN/ES 60601-1 (2 × MOPP) and IEC/EN/UL 62368-1
- Low leakage current < 2 µA
- Efficiency up to 84%
- Operation up to 5000 m altitude
- 5-year product warranty

Pinout / Connection		
Pin	Single	Dual
1	+Vin	+Vin
2	-Vin	-Vin
7	-Vout	-Vout
8	No Pin	Common
9	+Vout	+Vout

Model	Input Voltage Range	Output		Efficiency
		Vnom	Iout	
TRV 2-0510M	4.5 – 5.5 VDC (5 VDC nom.)	3.3 VDC	600 mA	78%
TRV 2-0511M		5 VDC	400 mA	81%
TRV 2-0512M		12 VDC	167 mA	83%
TRV 2-0513M		15 VDC	134 mA	83%
TRV 2-0521M		±5 VDC	±200 mA	82%
TRV 2-0522M		±12 VDC	±83 mA	83%
TRV 2-0523M	±15 VDC	±67 mA	81%	
TRV 2-1210M	10.8 – 13.2 VDC (12 VDC nom.)	3.3 VDC	600 mA	79%
TRV 2-1211M		5 VDC	400 mA	81%
TRV 2-1212M		12 VDC	167 mA	84%
TRV 2-1213M		15 VDC	134 mA	83%
TRV 2-1221M		±5 VDC	±200 mA	81%
TRV 2-1222M		±12 VDC	±83 mA	83%
TRV 2-1223M	±15 VDC	±67 mA	82%	
TRV 2-1510M	13.5 – 16.5 VDC (15 VDC nom.)	3.3 VDC	600 mA	79%
TRV 2-1511M		5 VDC	400 mA	81%
TRV 2-1512M		12 VDC	167 mA	84%
TRV 2-1513M		15 VDC	134 mA	83%
TRV 2-1521M		±5 VDC	±200 mA	81%
TRV 2-1522M		±12 VDC	±83 mA	83%
TRV 2-1523M	±15 VDC	±67 mA	80%	
TRV 2-2410M	21.6 – 26.4 VDC (24 VDC nom.)	3.3 VDC	600 mA	78%
TRV 2-2411M		5 VDC	400 mA	80%
TRV 2-2412M		12 VDC	167 mA	82%
TRV 2-2413M		15 VDC	134 mA	82%
TRV 2-2421M		±5 VDC	±200 mA	81%
TRV 2-2422M		±12 VDC	±83 mA	81%
TRV 2-2423M	±15 VDC	±67 mA	80%	

TIM 2

2 Watt



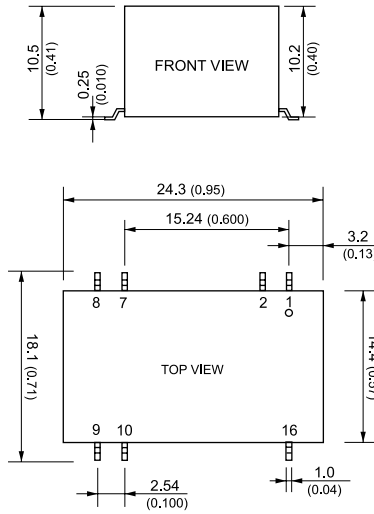
- Compact DIP-16-package
- I/O isolation 5000 VAC rated for 250 VAC working voltage
- Certification according to IEC/EN/ES 60601-1 3rd edition for 2 × MOPP and operation to 5000 m altitude
- Low leakage current < 2 µA
- Extended operating temperature range -40°C to 95°C
- EMC compliance to IEC 60601-1-2 4th edition and EN 55032 class A

Pinout / Connection		
Pin	Single Output	Dual Output
1	-Vin (GND)	-Vin (GND)
2	Remote	Remote
7	NC	NC
8	NC	Common
9	+Vout	+Vout
10	-Vout	-Vout
16	+Vin (Vcc)	+Vin (Vcc)

Model	Input Voltage Range	Output		Efficiency
		Vnom	I _{max}	
TIM 2-0910	4.5 – 12 VDC (9 VDC nom.)	3.3 VDC	600 mA	75%
TIM 2-0911		5 VDC	400 mA	78%
TIM 2-0919		9 VDC	222 mA	78%
TIM 2-0912		12 VDC	167 mA	82%
TIM 2-0913		15 VDC	134 mA	82%
TIM 2-0915		24 VDC	83 mA	82%
TIM 2-0922		±12 VDC	83 mA	82%
TIM 2-0923		±15 VDC	67 mA	80%
TIM 2-1210		9 – 18 VDC (12 VDC nom.)	3.3 VDC	600 mA
TIM 2-1211	5 VDC		400 mA	78%
TIM 2-1219	9 VDC		222 mA	79%
TIM 2-1212	12 VDC		167 mA	82%
TIM 2-1213	15 VDC		134 mA	82%
TIM 2-1215	24 VDC		83 mA	81%
TIM 2-1222	±12 VDC		83 mA	81%
TIM 2-1223	±15 VDC		67 mA	81%
TIM 2-2410	18 – 36 VDC (24 VDC nom.)		3.3 VDC	600 mA
TIM 2-2411		5 VDC	400 mA	79%
TIM 2-2419		9 VDC	222 mA	80%
TIM 2-2412		12 VDC	167 mA	81%
TIM 2-2413		15 VDC	134 mA	81%
TIM 2-2415		24 VDC	83 mA	81%
TIM 2-2422		±12 VDC	83 mA	81%
TIM 2-2423		±15 VDC	67 mA	81%
TIM 2-4810		36 – 75 VDC (48 VDC nom.)	3.3 VDC	600 mA
TIM 2-4811	5 VDC		400 mA	78%
TIM 2-4819	9 VDC		222 mA	79%
TIM 2-4812	12 VDC		167 mA	80%
TIM 2-4813	15 VDC		134 mA	82%
TIM 2-4815	24 VDC		83 mA	81%
TIM 2-4822	±12 VDC		83 mA	81%
TIM 2-4823	±15 VDC		67 mA	81%

TIM 2SM

2 Watt



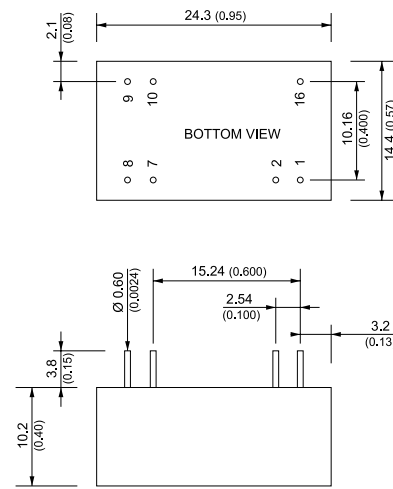
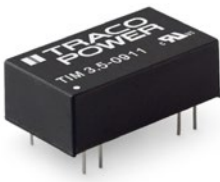
- Compact SMD-16-package
- I/O isolation 5000 VAC rated for 250 VAC working voltage
- Certification according to IEC/EN/ES 60601-1 3rd edition for 2 x MOPP and operation to 5000 m altitude
- Low leakage current < 2 μA
- Extended operating temperature range -40°C to 95°C.
- EMC compliance to IEC 60601-1-2 4th edition and EN 55032 class A

Pinout / Connection		
Pin	Single Output	Dual Output
1	-Vin (GND)	-Vin (GND)
2	Remote	Remote
7	NC	NC
8	NC	Common
9	+Vout	+Vout
10	-Vout	-Vout
16	+Vin (Vcc)	+Vin (Vcc)

Model	Input Voltage Range	Output Vnom	I _{max}	Efficiency
TIM 2-0910SM	4.5 – 12 VDC (9 VDC nom.)	3.3 VDC	600 mA	75%
TIM 2-0911SM		5 VDC	400 mA	78%
TIM 2-0919SM		9 VDC	222 mA	78%
TIM 2-0912SM		12 VDC	167 mA	82%
TIM 2-0913SM		15 VDC	134 mA	82%
TIM 2-0915SM		24 VDC	83 mA	82%
TIM 2-0922SM	9 – 18 VDC (12 VDC nom.)	±12 VDC	83 mA	82%
TIM 2-0923SM		±15 VDC	67 mA	80%
TIM 2-1210SM		3.3 VDC	600 mA	76%
TIM 2-1211SM		5 VDC	400 mA	78%
TIM 2-1219SM		9 VDC	222 mA	79%
TIM 2-1212SM		12 VDC	167 mA	82%
TIM 2-1213SM	18 – 36 VDC (24 VDC nom.)	15 VDC	134 mA	82%
TIM 2-1215SM		24 VDC	83 mA	81%
TIM 2-1222SM		±12 VDC	83 mA	81%
TIM 2-1223SM		±15 VDC	67 mA	81%
TIM 2-2410SM		3.3 VDC	600 mA	76%
TIM 2-2411SM		5 VDC	400 mA	79%
TIM 2-2419SM	36 – 75 VDC (48 VDC nom.)	9 VDC	222 mA	80%
TIM 2-2412SM		12 VDC	167 mA	81%
TIM 2-2413SM		15 VDC	134 mA	81%
TIM 2-2415SM		24 VDC	83 mA	81%
TIM 2-2422SM		±12 VDC	83 mA	81%
TIM 2-2423SM		±15 VDC	67 mA	81%

TIM 3.5

3.5 Watt

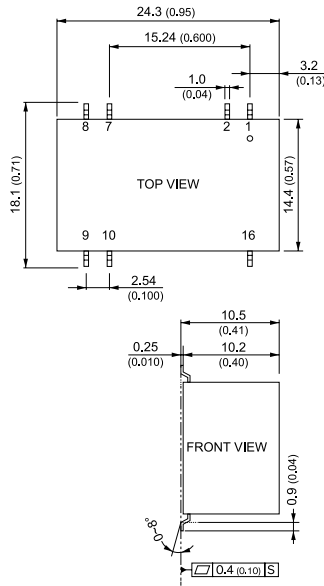


- Compact DIP-16-package
- I/O isolation 5000 VAC rated for 250 VAC working voltage
- Certification according to IEC/EN/ES 60601-1 3rd edition for 2 x MOPP and operation to 5000 m altitude
- Low leakage current < 2 μA for BF-applications
- Extended operating temperature range -40°C to 90°C.
- EMC compliance to IEC 60601-1-2 4th edition and EN 55032 class A

Pinout / Connection		
Pin	Single Output	Dual Output
1	-Vin (GND)	-Vin (GND)
2	Remote	Remote
7	NC	NC
8	NC	Common
9	+Vout	+Vout
10	-Vout	-Vout
16	+Vin (Vcc)	+Vin (Vcc)

Model	Input Voltage Range	Output Vnom	I _{max}	Efficiency
TIM 3.5-0911	4.5 – 12 VDC (9 VDC nom.)	5 VDC	700 mA	77%
TIM 3.5-0919		9 VDC	389 mA	78%
TIM 3.5-0912		12 VDC	292 mA	82%
TIM 3.5-0913		15 VDC	234 mA	82%
TIM 3.5-0915		24 VDC	146 mA	82%
TIM 3.5-0922		±12 VDC	146 mA	82%
TIM 3.5-0923	9 – 18 VDC (12 VDC nom.)	±15 VDC	117 mA	81%
TIM 3.5-1211		5 VDC	700 mA	79%
TIM 3.5-1219		9 VDC	389 mA	79%
TIM 3.5-1212		12 VDC	292 mA	82%
TIM 3.5-1213		15 VDC	234 mA	82%
TIM 3.5-1215		24 VDC	146 mA	82%
TIM 3.5-1222	18 – 36 VDC (24 VDC nom.)	±12 VDC	146 mA	82%
TIM 3.5-1223		±15 VDC	117 mA	82%
TIM 3.5-2411		5 VDC	700 mA	79%
TIM 3.5-2419		9 VDC	389 mA	80%
TIM 3.5-2412		12 VDC	292 mA	83%
TIM 3.5-2413		15 VDC	234 mA	83%
TIM 3.5-2415	36 – 75 VDC (48 VDC nom.)	24 VDC	146 mA	82%
TIM 3.5-2422		±12 VDC	146 mA	82%
TIM 3.5-2423		±15 VDC	117 mA	82%
TIM 3.5-4811		5 VDC	700 mA	79%
TIM 3.5-4819		9 VDC	389 mA	80%
TIM 3.5-4812		12 VDC	292 mA	82%
TIM 3.5-4813	36 – 75 VDC (48 VDC nom.)	15 VDC	234 mA	82%
TIM 3.5-4815		24 VDC	146 mA	82%
TIM 3.5-4822		±12 VDC	146 mA	82%
TIM 3.5-4823		±15 VDC	117 mA	82%

TIM 3.5SM **3.5 Watt**

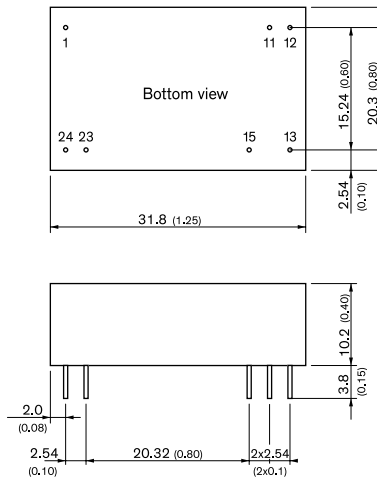


- Compact SMD-16-package
- I/O isolation 5000 VAC rated for 250 VAC working voltage
- Certification according to IEC/EN/ES 60601-1 3rd edition for 2 x MOPP and operation to 5000 m altitude
- Low leakage current < 2 μA for BF-applications
- Extended operating temperature range -40°C to 90°C.
- EMC compliance to IEC 60601-1-2 4th edition and EN 55032 class A

Pinout / Connection		
Pin	Single Output	Dual Output
1	-Vin (GND)	-Vin (GND)
2	Remote	Remote
7	NC	NC
8	NC	Common
9	+Vout	+Vout
10	-Vout	-Vout
16	+Vin (Vcc)	+Vin (Vcc)

Model	Input Voltage Range	Output		Efficiency
		Vnom	I _{max}	
TIM 3.5-0911SM	4.5 – 12 VDC (9 VDC nom.)	5 VDC	700 mA	77%
TIM 3.5-0919SM		9 VDC	389 mA	78%
TIM 3.5-0912SM		12 VDC	292 mA	82%
TIM 3.5-0913SM		15 VDC	234 mA	82%
TIM 3.5-0915SM		24 VDC	146 mA	82%
TIM 3.5-0922SM		±12 VDC	146 mA	82%
TIM 3.5-0923SM	±15 VDC	117 mA	81%	
TIM 3.5-1211SM	9 – 18 VDC (12 VDC nom.)	5 VDC	700 mA	79%
TIM 3.5-1219SM		9 VDC	389 mA	79%
TIM 3.5-1212SM		12 VDC	292 mA	82%
TIM 3.5-1213SM		15 VDC	234 mA	82%
TIM 3.5-1215SM		24 VDC	146 mA	82%
TIM 3.5-1222SM		±12 VDC	146 mA	82%
TIM 3.5-1223SM	±15 VDC	117 mA	82%	
TIM 3.5-2411SM	18 – 36 VDC (24 VDC nom.)	5 VDC	700 mA	79%
TIM 3.5-2419SM		9 VDC	389 mA	80%
TIM 3.5-2412SM		12 VDC	292 mA	83%
TIM 3.5-2413SM		15 VDC	234 mA	83%
TIM 3.5-2415SM		24 VDC	146 mA	82%
TIM 3.5-2422SM		±12 VDC	146 mA	82%
TIM 3.5-2423SM	±15 VDC	117 mA	82%	
TIM 3.5-4811SM	36 – 75 VDC (48 VDC nom.)	5 VDC	700 mA	79%
TIM 3.5-4819SM		9 VDC	389 mA	80%
TIM 3.5-4812SM		12 VDC	292 mA	82%
TIM 3.5-4813SM		15 VDC	234 mA	82%
TIM 3.5-4815SM		24 VDC	146 mA	82%
TIM 3.5-4822SM		±12 VDC	146 mA	82%
TIM 3.5-4823SM	±15 VDC	117 mA	82%	

THM 3 **3 Watt**



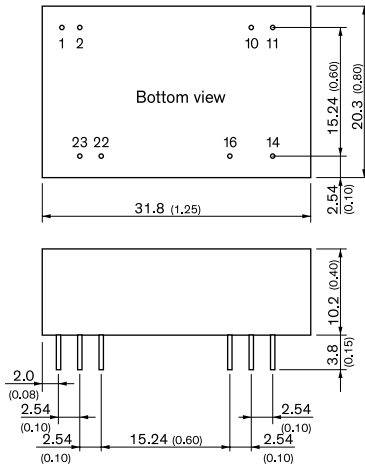
- Compact DIP-24 plastic case
- I/O isolation 5000 VAC rated for 250 VAC working voltage
- IEC 60601-1 certification for 2 x MOPP
- Risk management process according to ISO 14971 incl. risk management file
- Acceptance criteria for electronic assemblies acc. to IPC-A-610 Level 3
- Low leakage current < 2 μA
- Operating temperature: -40°C to 90°C
- EMC compliance to IEC 60601-1-2 4th edition and EN 55032 class A

Pinout / Connection		
Pin	Single	Dual
1	+Vin (Vcc)	+Vin (Vcc)
11	No pin	Common
12	-Vout	No pin
13	+Vout	-Vout
15	No pin	+Vout
23	-Vin (GND)	-Vin (GND)
24	-Vin (GND)	-Vin (GND)

Model	Input Voltage Range	Output		Efficiency
		Vnom	I _{max}	
THM 3-0510	4.5 – 9 VDC (5 VDC nom.)	3.3 VDC	1000 mA	81%
THM 3-0511		5 VDC	600 mA	85%
THM 3-0512		12 VDC	250 mA	86%
THM 3-0513		15 VDC	200 mA	88%
THM 3-0515		24 VDC	125 mA	86%
THM 3-0521		±5 VDC	300 mA	83%
THM 3-0522	±12 VDC	125 mA	86%	
THM 3-0523	±15 VDC	100 mA	86%	
THM 3-1210	9 – 18 VDC (12 VDC nom.)	3.3 VDC	1000 mA	82%
THM 3-1211		5 VDC	600 mA	85%
THM 3-1212		12 VDC	250 mA	87%
THM 3-1213		15 VDC	200 mA	87%
THM 3-1215		24 VDC	125 mA	87%
THM 3-1221		±5 VDC	300 mA	84%
THM 3-1222	±12 VDC	125 mA	88%	
THM 3-1223	±15 VDC	100 mA	87%	
THM 3-2410	18 – 36 VDC (24 VDC nom.)	3.3 VDC	1000 mA	82%
THM 3-2411		5 VDC	600 mA	85%
THM 3-2412		12 VDC	250 mA	87%
THM 3-2413		15 VDC	200 mA	87%
THM 3-2415		24 VDC	125 mA	87%
THM 3-2421		±5 VDC	300 mA	83%
THM 3-2422	±12 VDC	125 mA	87%	
THM 3-2423	±15 VDC	100 mA	86%	
THM 3-4810	36 – 75 VDC (48 VDC nom.)	3.3 VDC	1000 mA	81%
THM 3-4811		5 VDC	600 mA	84%
THM 3-4812		12 VDC	250 mA	87%
THM 3-4813		15 VDC	200 mA	87%
THM 3-4815		24 VDC	125 mA	87%
THM 3-4821		±5 VDC	300 mA	83%
THM 3-4822	±12 VDC	125 mA	86%	
THM 3-4823	±15 VDC	100 mA	86%	

THM 3WI

3 Watt



- Ultra wide 4:1 input voltage 3 W DC/DC converter in a compact DIP-24 plastic case
- I/O isolation 5000 VAC rated for 250 VAC working voltage
- Certification according to IEC/EN/ES 60601-1 3rd edition for 2 x MOPP
- Risk management process according to ISO 14971 incl. risk management file
- Acceptance criteria for electronic assemblies acc. to IPC-A-610 Level 3
- Low leakage current <2 μA
- Operating temp.: -40°C to 90°C
- EMC compliance to IEC 60601-1-2 4th edition and EN 55032 class A
- Operating up to 5000m altitude

Pinout / Connection		
Pin	Single	Dual
1	No pin*/Remote	No pin*/Remote
2	-Vin (GND)	-Vin (GND)
10	No pin*/Trim	No pin*/Trim
11	No pin/NC **	-Vout
14	+Vout	+Vout
16	-Vout	Common
22	+Vin (Vcc)	+Vin (Vcc)
23	+Vin (Vcc)	+Vin (Vcc)

Model	Input Voltage Range	Output Vnom	I _{max}	Efficiency
THM 3-0510WI	4.5 – 9 VDC (5 VDC nom.)	3.3 VDC	1000 mA	81%
THM 3-0511WI		5 VDC	600 mA	85%
THM 3-0512WI		12 VDC	250 mA	86%
THM 3-0513WI		15 VDC	200 mA	88%
THM 3-0515WI		24 VDC	125 mA	86%
THM 3-0521WI		±5 VDC	300 mA	83%
THM 3-0522WI		±12 VDC	125 mA	86%
THM 3-0523WI	±15 VDC	100 mA	86%	
THM 3-2410WI	9 – 36 VDC (24 VDC nom.)	3.3 VDC	1000 mA	82%
THM 3-2411WI		5 VDC	600 mA	85%
THM 3-2412WI		12 VDC	250 mA	87%
THM 3-2413WI		15 VDC	200 mA	87%
THM 3-2415WI		24 VDC	125 mA	87%
THM 3-2421WI		±5 VDC	300 mA	83%
THM 3-2422WI		±12 VDC	125 mA	87%
THM 3-2423WI	±15 VDC	100 mA	86%	
THM 3-4810WI	36 – 75 VDC (48 VDC nom.)	3.3 VDC	1000 mA	81%
THM 3-4811WI		5 VDC	600 mA	84%
THM 3-4812WI		12 VDC	250 mA	87%
THM 3-4813WI		15 VDC	200 mA	87%
THM 3-4815WI		24 VDC	125 mA	87%
THM 3-4821WI		±5 VDC	300 mA	83%
THM 3-4822WI		±12 VDC	125 mA	86%
THM 3-4823WI	±15 VDC	100 mA	86%	

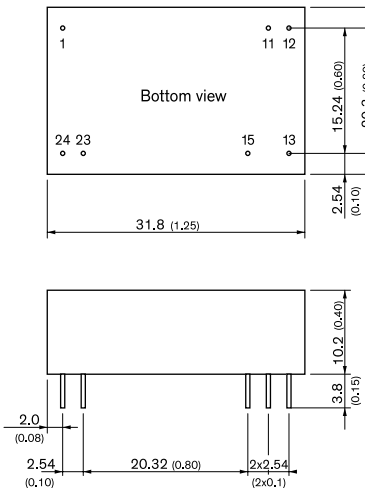
NC: No connection

* If Remote or Trim is not selected there is no pin on corresponding number.

** If Trim is selected there is no pin on the corresponding pin number.

THM 6

6 Watt

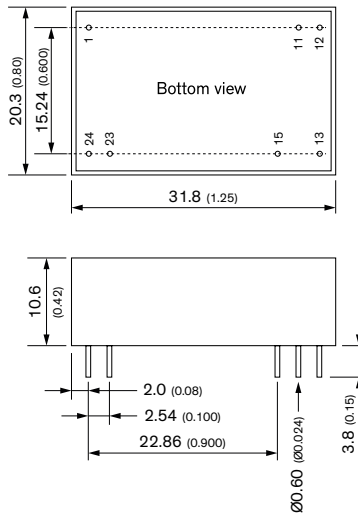


- Compact DIP-24 plastic case
- I/O isolation 5000 VAC rated for 250 VAC working voltage
- IEC 60601-1 certification for 2 x MOPP
- Risk management process according to ISO 14971 incl. risk management file
- Acceptance criteria for electronic assemblies acc. to IPC-A-610 Level 3
- Low leakage current <2 μA
- Operating temp.: -40°C to 90°C
- EMC compliance to IEC 60601-1-2 4th edition and EN 55032 class A

Pinout / Connection		
Pin	Single	Dual
1	+Vin (Vcc)	+Vin (Vcc)
11	No pin	Common
12	-Vout	No pin
13	+Vout	-Vout
15	No pin	+Vout
23	-Vin (GND)	-Vin (GND)
24	-Vin (GND)	-Vin (GND)

Model	Input Voltage Range	Output Vnom	I _{max}	Efficiency
THM 6-0510	4.5 – 9 VDC (5 VDC nom.)	3.3 VDC	1800 mA	82%
THM 6-0511		5 VDC	1200 mA	86%
THM 6-0512		12 VDC	500 mA	86%
THM 6-0513		15 VDC	400 mA	88%
THM 6-0515		24 VDC	250 mA	87%
THM 6-0521		±5 VDC	600 mA	84%
THM 6-0522		±12 VDC	250 mA	87%
THM 6-0523	±15 VDC	200 mA	88%	
THM 6-1210	9 – 18 VDC (12 VDC nom.)	3.3 VDC	1800 mA	84%
THM 6-1211		5 VDC	1200 mA	86%
THM 6-1212		12 VDC	500 mA	89%
THM 6-1213		15 VDC	400 mA	89%
THM 6-1215		24 VDC	250 mA	89%
THM 6-1221		±5 VDC	600 mA	85%
THM 6-1222		±12 VDC	250 mA	89%
THM 6-1223	±15 VDC	200 mA	88%	
THM 6-2410	18 – 36 VDC (24 VDC nom.)	3.3 VDC	1800 mA	83%
THM 6-2411		5 VDC	1200 mA	86%
THM 6-2412		12 VDC	500 mA	89%
THM 6-2413		15 VDC	400 mA	89%
THM 6-2415		24 VDC	250 mA	89%
THM 6-2421		±5 VDC	600 mA	85%
THM 6-2422		±12 VDC	250 mA	89%
THM 6-2423	±15 VDC	200 mA	89%	
THM 6-4810	36 – 75 VDC (48 VDC nom.)	3.3 VDC	1800 mA	83%
THM 6-4811		5 VDC	1200 mA	87%
THM 6-4812		12 VDC	500 mA	88%
THM 6-4813		15 VDC	400 mA	89%
THM 6-4815		24 VDC	250 mA	88%
THM 6-4821		±5 VDC	600 mA	85%
THM 6-4822		±12 VDC	250 mA	88%
THM 6-4823	±15 VDC	200 mA	87%	

TIM 6 **NEW – under development** **6 Watt**

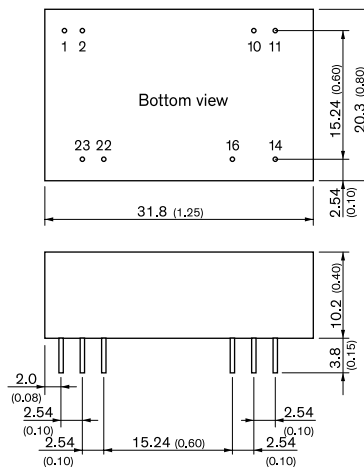


- Compact DIP-24 plastic case
- I/O isolation 5000 VAC rated for 250 VAC working voltage
- IEC 60601-1 certification for 2 × MOPP
- Risk management process according to ISO 14971 incl. risk management file
- Acceptance criteria for electronic assemblies acc. to IPC-A-610 Level 3
- Low leakage current <2 µA
- Operating temp.: -40°C to 95°C
- EMC compliance to IEC 60601-1-2 4th edition and EN 55032 class A

Pinout / Connection		
Pin	Single	Dual
1	+Vin	+Vin
11	No Pin	Common
12	-Vout	No Pin
13	+Vout	-Vout
15	No Pin	+Vout
23	-Vout	-Vout
24	-Vout	-Vout

Model	Input Voltage Range	Output Vnom	Imax	Efficiency
TIM 6-1211	9 – 18 VDC	5 VDC	1200 mA	84%
TIM 6-1212		12 VDC	500 mA	87%
TIM 6-1213		15 VDC	400 mA	86%
TIM 6-1221		±5 VDC	±600 mA	83%
TIM 6-1222		±12 VDC	±250 mA	87%
TIM 6-1223		±15 VDC	±200 mA	86%
TIM 6-2411	18 – 36 VDC	5 VDC	1200 mA	84%
TIM 6-2412		12 VDC	500 mA	87%
TIM 6-2413		15 VDC	400 mA	87%
TIM 6-2421		±5 VDC	±600 mA	84%
TIM 6-2422		±12 VDC	±250 mA	86%
TIM 6-2423		±15 VDC	±200 mA	86%
TIM 6-4811	36 – 75 VDC	5 VDC	1200 mA	84%
TIM 6-4812		12 VDC	500 mA	87%
TIM 6-4813		15 VDC	400 mA	86%
TIM 6-4821		±5 VDC	±600 mA	83%
TIM 6-4822		±12 VDC	±250 mA	87%
TIM 6-4823		±15 VDC	±200 mA	85%

THM 6WI **6 Watt**



- Ultra wide 4:1 input voltage 6 W DC/DC converter in a compact DIP-24 plastic case
- I/O isolation 5000 VAC rated for 250 VAC working voltage
- Certification according to IEC/EN/ES 60601-1 3rd edition for 2 × MOPP
- Risk management process according to ISO 14971 incl. risk management file
- Acceptance criteria for electronic assemblies acc. to IPC-A-610 Level 3
- Low leakage current <2 µA
- Operating temp.: -40°C to 90°C
- EMC compliance to IEC 60601-1-2 4th edition and EN 55032 class A
- Operating up to 5000m altitude

Pinout / Connection		
Pin	Single	Dual
1	No pin*/Remote	No pin*/Remote
2	-Vin (GND)	-Vin (GND)
10	No pin*/Trim	No pin*/Trim
11	No pin*/NC **	-Vout
14	+Vout	+Vout
16	-Vout	Common
22	+Vin (Vcc)	+Vin (Vcc)
23	+Vin (Vcc)	+Vin (Vcc)

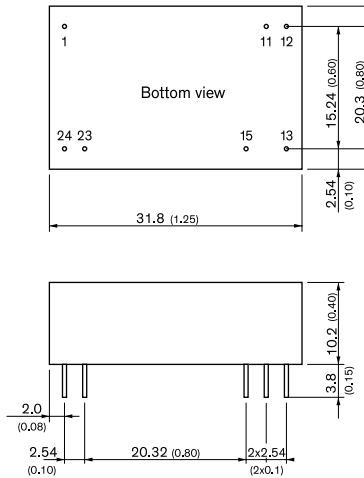
Model	Input Voltage Range	Output Vnom	Imax	Efficiency
THM 6-0510WI	4.5 – 9 VDC (5 VDC nom.)	3.3 VDC	1800 mA	82%
THM 6-0511WI		5 VDC	1200 mA	86%
THM 6-0512WI		12 VDC	500 mA	86%
THM 6-0513WI		15 VDC	400 mA	88%
THM 6-0515WI		24 VDC	250 mA	87%
THM 6-0521WI		±5 VDC	600 mA	84%
THM 6-0522WI	±12 VDC	250 mA	87%	
THM 6-0523WI	±15 VDC	200 mA	88%	
THM 6-2410WI	9 – 36 VDC (24 VDC nom.)	3.3 VDC	1800 mA	83%
THM 6-2411WI		5 VDC	1200 mA	86%
THM 6-2412WI		12 VDC	500 mA	89%
THM 6-2413WI		15 VDC	400 mA	89%
THM 6-2415WI		24 VDC	250 mA	89%
THM 6-2421WI		±5 VDC	600 mA	85%
THM 6-2422WI	±12 VDC	250 mA	89%	
THM 6-2423WI	±15 VDC	200 mA	89%	
THM 6-4810WI	18 – 75 VDC (48 VDC nom.)	3.3 VDC	1800 mA	83%
THM 6-4811WI		5 VDC	1200 mA	87%
THM 6-4812WI		12 VDC	500 mA	88%
THM 6-4813WI		15 VDC	400 mA	89%
THM 6-4815WI		24 VDC	250 mA	88%
THM 6-4821WI		±5 VDC	600 mA	85%
THM 6-4822WI	±12 VDC	250 mA	88%	
THM 6-4823WI	±15 VDC	200 mA	87%	

NC: No connection

* If Remote or Trim is not selected there is no pin on corresponding number.

** If Trim is selected there is no pin on the corresponding pin number.

THM 10 **10 Watt**

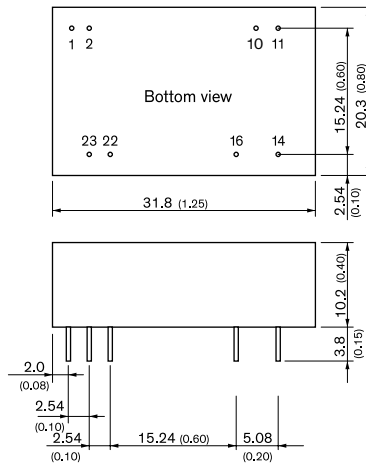


- Compact DIP-24 plastic case
- I/O isolation 5000 VAC rated for 250 VAC working voltage
- IEC 60601-1 certification for 2 x MOPP
- Risk management process according to ISO 14971 incl. risk management file
- Acceptance criteria for electronic assemblies acc. to IPC-A-610 Level 3
- Low leakage current <2 μA
- Operating temp.: -40°C to 90°C
- EMC compliance to IEC 60601-1-2 4th edition and EN 55032 class

Pinout / Connection		
Pin	Single	Dual
1	+Vin (Vcc)	+Vin (Vcc)
11	No pin	Common
12	-Vout	No pin
13	+Vout	-Vout
15	No pin	+Vout
23	-Vin (GND)	-Vin (GND)
24	-Vin (GND)	-Vin (GND)

Model	Input Voltage Range	Output Vnom	I _{max}	Efficiency
THM 10-0510	4.5 – 9 VDC (5 VDC nom.)	3.3 VDC	2500 mA	80%
THM 10-0511		5 VDC	2000 mA	84%
THM 10-0512		12 VDC	830 mA	87%
THM 10-0513		15 VDC	670 mA	87%
THM 10-0515		24 VDC	416 mA	86%
THM 10-0521		±5 VDC	1000 mA	83%
THM 10-0522		±12 VDC	416 mA	86%
THM 10-0523	±15 VDC	333 mA	87%	
THM 10-1210	9 – 18 VDC (12 VDC nom.)	3.3 VDC	2500 mA	83%
THM 10-1211		5 VDC	2000 mA	86%
THM 10-1212		12 VDC	830 mA	88%
THM 10-1213		15 VDC	670 mA	89%
THM 10-1215		24 VDC	416 mA	89%
THM 10-1221		±5 VDC	1000 mA	84%
THM 10-1222		±12 VDC	416 mA	89%
THM 10-1223	±15 VDC	333 mA	88%	
THM 10-2410	18 – 36 VDC (24 VDC nom.)	3.3 VDC	2500 mA	83%
THM 10-2411		5 VDC	2000 mA	87%
THM 10-2412		12 VDC	830 mA	89%
THM 10-2413		15 VDC	670 mA	89%
THM 10-2415		24 VDC	416 mA	89%
THM 10-2421		±5 VDC	1000 mA	85%
THM 10-2422		±12 VDC	416 mA	89%
THM 10-2423	±15 VDC	333 mA	88%	
THM 10-4810	36 – 75 VDC (48 VDC nom.)	3.3 VDC	2500 mA	83%
THM 10-4811		5 VDC	2000 mA	87%
THM 10-4812		12 VDC	830 mA	89%
THM 10-4813		15 VDC	670 mA	89%
THM 10-4815		24 VDC	416 mA	89%
THM 10-4821		±5 VDC	1000 mA	85%
THM 10-4822		±12 VDC	416 mA	88%
THM 10-4823	±15 VDC	333 mA	88%	

THM 10WI **10 Watt**



- Ultra wide 4:1 input voltage 10 W DC/DC converter in a compact DIP-24 plastic case
- I/O isolation 5000VAC rated for 250 VAC working voltage
- Certification according to IEC/EN/ES 60601-1 3rd edition for 2 x MOPP
- Risk management process according to ISO 14971 incl. risk management file
- Acceptance criteria for electronic assemblies acc. to IPC-A-610 Level 3
- Low leakage current <2 μA
- Operating temp.: -40°C to 90°C
- EMC compliance to IEC 60601-1-2 4th edition and EN 55032 class A
- Operating up to 5000m altitude

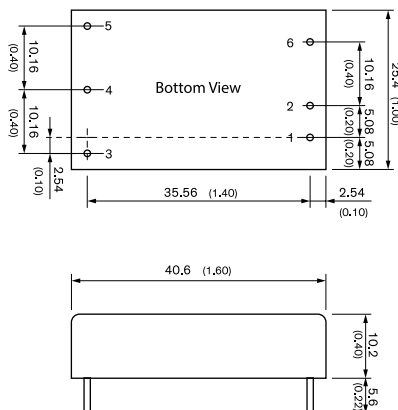
Pinout / Connection		
Pin	Single	Dual
1	No pin*/Remote	No pin*/Remote
2	-Vin (GND)	NC -Vin (GND)
10	No pin*/Trim	No pin*/Trim
11	NC	-Vout
14	+Vout	+Vout
16	-Vout	Common
22	+Vin (Vcc)	+Vin (Vcc)
23	+Vin (Vcc)	+Vin (Vcc)

Model	Input Voltage Range	Output Vnom	I _{max}	Efficiency
THM 10-0510WI	4.5 – 9 VDC (5 VDC nom.)	3.3 VDC	2500 mA	80%
THM 10-0511WI		5 VDC	2000 mA	84%
THM 10-0512WI		12 VDC	830 mA	87%
THM 10-0513WI		15 VDC	670 mA	87%
THM 10-0515WI		24 VDC	416 mA	86%
THM 10-0521WI		±5 VDC	1000 mA	83%
THM 10-0522WI		±12 VDC	416 mA	86%
THM 10-0523WI	±15 VDC	333 mA	87%	
THM 10-2410WI	9 – 36 VDC (24 VDC nom.)	3.3 VDC	2500 mA	83%
THM 10-2411WI		5 VDC	2000 mA	87%
THM 10-2412WI		12 VDC	830 mA	89%
THM 10-2413WI		15 VDC	670 mA	89%
THM 10-2415WI		24 VDC	416 mA	89%
THM 10-2421WI		±5 VDC	1000 mA	85%
THM 10-2422WI		±12 VDC	416 mA	89%
THM 10-2423WI	±15 VDC	333 mA	88%	
THM 10-4810WI	18 – 75 VDC (48 VDC nom.)	3.3 VDC	2500 mA	83%
THM 10-4811WI		5 VDC	2000 mA	87%
THM 10-4812WI		12 VDC	830 mA	89%
THM 10-4813WI		15 VDC	670 mA	89%
THM 10-4815WI		24 VDC	416 mA	89%
THM 10-4821WI		±5 VDC	1000 mA	85%
THM 10-4822WI		±12 VDC	416 mA	88%
THM 10-4823WI	±15 VDC	333 mA	88%	

NC: No connection

* If Remote or Trim is not selected there is no pin on corresponding number.

THM 15 **15 Watt**



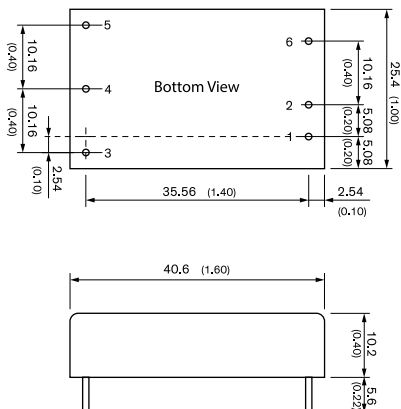
- Wide 2:1 input voltage 15 W DC/DC converter in a 1.6" x 1" plastic case
- I/O isolation 5000 VAC rated for 250 VAC working voltage
- Certification according to IEC/EN/ES 60601-1 3rd edition for 2 x MOPP
- Risk management process according to ISO 14971 incl. risk management file
- Acceptance criteria for electronic assemblies acc. to IPC-A-610 Level 3
- Low leakage current <2.5 μA
- Operating temp.: -40°C to 85°C
- EMC compliance to IEC 60601-1-2 4th edition and EN 55032 class A
- Operating up to 5000m altitude

Pinout / Connection		
Pin	Single	Dual
1	+Vin (Vcc)	+Vin (Vcc)
2	-Vin (GND)	-Vin (GND)
3	+Vout	+Vout
4	-Vout	Common
5	Trim	-Vout
6	No pin*/Remote	No pin*/Remote

Model	Input Voltage Range	Output		Efficiency
		Vnom	I _{max}	
THM 15-1211	9 – 18 VDC (12 VDC nom.)	5 VDC	3000 mA	89%
THM 15-1212		12 VDC	1250 mA	89%
THM 15-1213		15 VDC	1000 mA	89%
THM 15-1215		24 VDC	625 mA	89%
THM 15-1221		±5 VDC	1500 mA	86%
THM 15-1222		±12 VDC	625 mA	89%
THM 15-1223	±15 VDC	500 mA	89%	
THM 15-2411	18 – 36 VDC (24 VDC nom.)	5 VDC	3000 mA	90%
THM 15-2412		12 VDC	1250 mA	90%
THM 15-2413		15 VDC	1000 mA	90%
THM 15-2415		24 VDC	625 mA	90%
THM 15-2421		±5 VDC	1500 mA	86%
THM 15-2422		±12 VDC	625 mA	90%
THM 15-2423	±15 VDC	500 mA	90%	
THM 15-4811	36 – 75 VDC (48 VDC nom.)	5 VDC	3000 mA	90%
THM 15-4812		12 VDC	1250 mA	88%
THM 15-4813		15 VDC	1000 mA	89%
THM 15-4815		24 VDC	625 mA	89%
THM 15-4821		±5 VDC	1500 mA	86%
THM 15-4822		±12 VDC	625 mA	89%
THM 15-4823	±15 VDC	500 mA	89%	

* If Remote or Trim is not selected there is no pin on corresponding number.

THM 15WI **15 Watt**



- Ultra wide 4:1 input voltage 15 W DC/DC converter in a 1.6" x 1" plastic case
- I/O isolation 5000 VAC rated for 250 VAC working voltage
- Certification according to IEC/EN/ES 60601-1 3rd edition for 2 x MOPP
- Risk management process according to ISO 14971 incl. risk management file
- Acceptance criteria for electronic assemblies acc. to IPC-A-610 Level 3
- Low leakage current <2.5 μA
- Operating temp.: -40°C to 85°C
- EMC compliance to IEC 60601-1-2 4th edition and EN 55032 class A
- Operating up to 5000m altitude

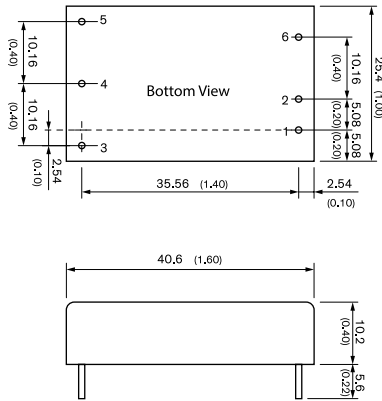
Pinout / Connection		
Pin	Single	Dual
1	+Vin (Vcc)	+Vin (Vcc)
2	-Vin (GND)	-Vin (GND)
3	+Vout	+Vout
4	-Vout	Common
5	Trim	-Vout
6	No pin*/Remote	No pin*/Remote

Model	Input Voltage Range	Output		Efficiency
		Vnom	I _{max}	
THM 15-2411WI	9 – 36 VDC (24 VDC nom.)	5 VDC	3000 mA	88%
THM 15-2412WI		12 VDC	1250 mA	89%
THM 15-2413WI		15 VDC	1000 mA	89%
THM 15-2415WI		24 VDC	625 mA	88%
THM 15-2421WI		±5 VDC	1500 mA	86%
THM 15-2422WI		±12 VDC	625 mA	88%
THM 15-2423WI	±15 VDC	500 mA	89%	
THM 15-4811WI	18 – 75 VDC (48 VDC nom.)	5 VDC	3000 mA	90%
THM 15-4812WI		12 VDC	1250 mA	88%
THM 15-4813WI		15 VDC	1000 mA	89%
THM 15-4815WI		24 VDC	625 mA	89%
THM 15-4821WI		±5 VDC	1500 mA	86%
THM 15-4822WI		±12 VDC	625 mA	89%
THM 15-4823WI	±15 VDC	500 mA	89%	

* If remote is not selected there will be no pin.

THM 20

20 Watt



- Wide 2:1 input voltage 20 W DC/DC converter in a 1.6" x 1" plastic case
- I/O isolation 5000VAC rated for 250 VAC working voltage
- Certification according to IEC/EN/ES 60601-1 3rd edition for 2 x MOPP
- Risk management process according to ISO 14971 incl. risk management file
- Acceptance criteria for electronic assemblies acc. to IPC-A-610 Level 3
- Low leakage current <2.5 μA
- Operating temp.: -40°C to 80°C
- EMC compliance to IEC 60601-1-2 4th edition and EN 55032 class A
- Operating up to 5000m altitude

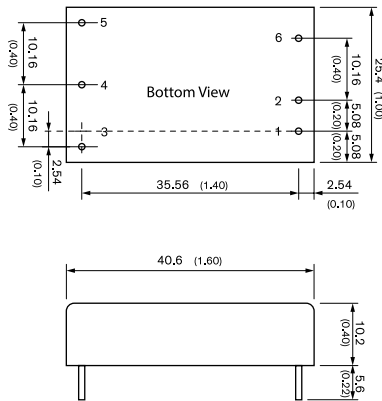
Pinout / Connection		
Pin	Single	Dual
1	+Vin (Vcc)	+Vin (Vcc)
2	-Vin (GND)	-Vin (GND)
3	+Vout	+Vout
4	-Vout	Common
5	Trim	-Vout
6	No pin*/Remote	No pin*/Remote

Model	Input Voltage Range	Output Vnom	I _{max}	Efficiency
THM 20-1211	9 – 18 VDC (12 VDC nom.)	5 VDC	4000 mA	89%
THM 20-1212		12 VDC	1670 mA	89%
THM 20-1213		15 VDC	1330 mA	89%
THM 20-1215		24 VDC	833 mA	89%
THM 20-1221		±5 VDC	2000 mA	86%
THM 20-1222		±12 VDC	833 mA	89%
THM 20-1223	±15 VDC	667 mA	89%	
THM 20-2411	18 – 36 VDC (24 VDC nom.)	5 VDC	4000 mA	90%
THM 20-2412		12 VDC	1670 mA	90%
THM 20-2413		15 VDC	1330 mA	90%
THM 20-2415		24 VDC	833 mA	90%
THM 20-2421		±5 VDC	2000 mA	86%
THM 20-2422		±12 VDC	833 mA	90%
THM 20-2423	±15 VDC	667 mA	90%	
THM 20-4811	36 – 75 VDC (48 VDC nom.)	5 VDC	4000 mA	90%
THM 20-4812		12 VDC	1670 mA	89%
THM 20-4813		15 VDC	1330 mA	89%
THM 20-4815		24 VDC	833 mA	89%
THM 20-4821		±5 VDC	2000 mA	86%
THM 20-4822		±12 VDC	833 mA	89%
THM 20-4823	±15 VDC	667 mA	89%	

* If remote is not selected there will be no pin.

THM 20W1

20 Watt



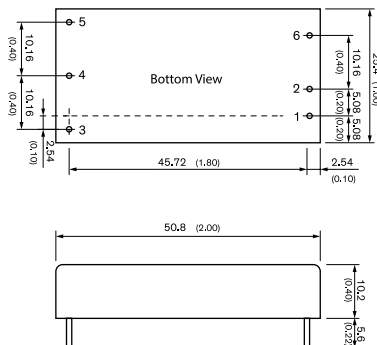
- Ultra wide 4:1 input voltage 20 W DC/DC converter in a 1.6" x 1" plastic case
- I/O isolation 5000 VAC rated for 250 VAC working voltage
- Certification according to IEC/EN/ES 60601-1 3rd edition for 2 x MOPP
- Risk management process according to ISO 14971 incl. risk management file
- Acceptance criteria for electronic assemblies acc. to IPC-A-610 Level 3
- Low leakage current <2.5 μA
- Operating temp.: -40°C to 80°C
- EMC compliance to IEC 60601-1-2 4th edition and EN 55032 class A
- Operating up to 5000m altitude

Pinout / Connection		
Pin	Single	Dual
1	+Vin (Vcc)	+Vin (Vcc)
2	-Vin (GND)	-Vin (GND)
3	+Vout	+Vout
4	-Vout	Common
5	Trim	-Vout
6	No pin*/Remote	No pin*/Remote

Model	Input Voltage Range	Output Vnom	I _{max}	Efficiency
THM 20-2411W1	9 – 36 VDC (24 VDC nom.)	5 VDC	4000 mA	89%
THM 20-2412W1		12 VDC	1670 mA	89%
THM 20-2413W1		15 VDC	1330 mA	89%
THM 20-2415W1		24 VDC	833 mA	89%
THM 20-2421W1		±5 VDC	2000 mA	86%
THM 20-2422W1		±12 VDC	833 mA	89%
THM 20-2423W1	±15 VDC	667 mA	89%	
THM 20-4811W1	18 – 75 VDC (48 VDC nom.)	5 VDC	4000 mA	90%
THM 20-4812W1		12 VDC	1670 mA	89%
THM 20-4813W1		15 VDC	1330 mA	89%
THM 20-4815W1		24 VDC	833 mA	89%
THM 20-4821W1		±5 VDC	2000 mA	86%
THM 20-4822W1		±12 VDC	833 mA	89%
THM 20-4823W1	±15 VDC	667 mA	89%	

* If remote is not selected there will be no pin.

THM 30 **30 Watt**



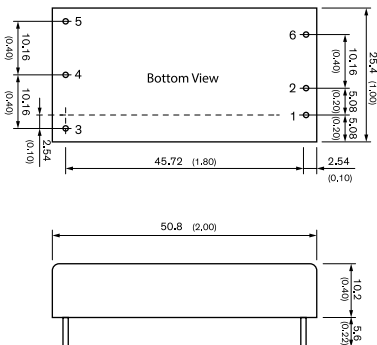
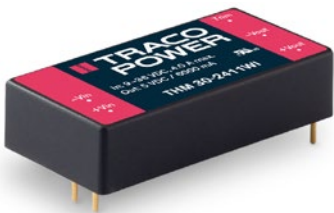
- Wide 2:1 input voltage 30 W DC/DC converter in a 2" x 1" plastic case
- I/O isolation 5000 VAC rated for 250 VAC working voltage
- Certification according to IEC/EN/ES 60601-1 3rd edition for 2 x MOPP
- Risk management process according to ISO 14971 incl. risk management file
- Acceptance criteria for electronic assemblies acc. to IPC-A-610 Level 3
- Low leakage current <2.5 μA
- Operating temp.: -40°C to 80°C
- EMC compliance to IEC 60601-1-2 4th edition and EN 55032 class A
- Operating up to 5000m altitude

Pinout / Connection		
Pin	Single	Dual
1	+Vin (Vcc)	+Vin (Vcc)
2	-Vin (GND)	-Vin (GND)
3	+Vout	+Vout
4	-Vout	Common
5	Trim	-Vout
6	No pin*/Remote	No pin*/Remote

Model	Input Voltage Range	Output		Efficiency
		Vnom	I _{max}	
THM 30-1211	9 – 18 VDC (12 VDC nom.)	5 VDC	6000 mA	89%
THM 30-1212		12 VDC	2500 mA	89%
THM 30-1213		15 VDC	2000 mA	90%
THM 30-1215		24 VDC	1250 mA	89%
THM 30-1221		±5 VDC	3000 mA	86%
THM 30-1222		±12 VDC	1250 mA	89%
THM 30-1223	±15 VDC	1000 mA	89%	
THM 30-2411	18 – 36 VDC (24 VDC nom.)	5 VDC	6000 mA	89%
THM 30-2412		12 VDC	2500 mA	89%
THM 30-2413		15 VDC	2000 mA	91%
THM 30-2415		24 VDC	1250 mA	90%
THM 30-2421		±5 VDC	3000 mA	86%
THM 30-2422		±12 VDC	1250 mA	90%
THM 30-2423	±15 VDC	1000 mA	90%	
THM 30-4811	36 – 75 VDC (48 VDC nom.)	5 VDC	6000 mA	89%
THM 30-4812		12 VDC	2500 mA	89%
THM 30-4813		15 VDC	2000 mA	90%
THM 30-4815		24 VDC	1250 mA	89%
THM 30-4821		±5 VDC	3000 mA	87%
THM 30-4822		±12 VDC	1250 mA	90%
THM 30-4823	±15 VDC	1000 mA	90%	

* If remote is not selected there will be no pin.

THM 30WI **30 Watt**



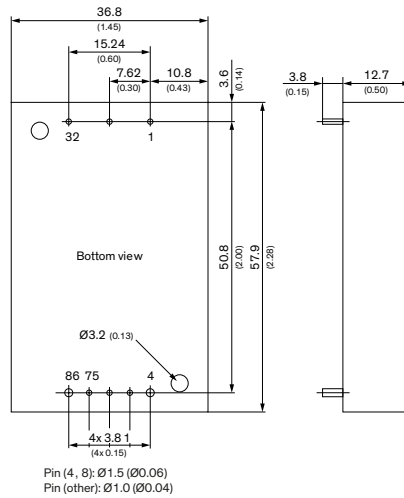
- Ultra wide 4:1 input voltage 30 W DC/DC converter in a 2" x 1" plastic case
- I/O isolation 5000 VAC rated for 250 VAC working voltage
- Certification according to IEC/EN/ES 60601-1 3rd edition for 2 x MOPP
- Risk management process according to ISO 14971 incl. risk management file
- Acceptance criteria for electronic assemblies acc. to IPC-A-610 Level 3
- Low leakage current <2.5 μA
- Operating temp.: -40°C to 80°C
- EMC compliance to IEC 60601-1-2 4th edition and EN 55032 class A
- Operating up to 5000m altitude

Pinout / Connection		
Pin	Single	Dual
1	+Vin (Vcc)	+Vin (Vcc)
2	-Vin (GND)	-Vin (GND)
3	+Vout	+Vout
4	-Vout	Common
5	Trim	-Vout
6	No pin*/Remote	No pin*/Remote

Model	Input Voltage Range	Output		Efficiency
		Vnom	I _{max}	
THM 30-2411WI	9 – 36 VDC (24 VDC nom.)	5 VDC	6000 mA	89%
THM 30-2412WI		12 VDC	2500 mA	89%
THM 30-2413WI		15 VDC	2000 mA	91%
THM 30-2415WI		24 VDC	1250 mA	90%
THM 30-2421WI		±5 VDC	3000 mA	86%
THM 30-2422WI		±12 VDC	1250 mA	90%
THM 30-2423WI	±15 VDC	1000 mA	90%	
THM 30-4811WI	18 – 75 VDC (48 VDC nom.)	5 VDC	6000 mA	89%
THM 30-4812WI		12 VDC	2500 mA	89%
THM 30-4813WI		15 VDC	2000 mA	90%
THM 30-4815WI		24 VDC	1250 mA	89%
THM 30-4821WI		±5 VDC	3000 mA	87%
THM 30-4822WI		±12 VDC	1250 mA	90%
THM 30-4823WI	±15 VDC	1000 mA	90%	

* If remote is not selected there will be no pin.

THM 60W **NEW!** 60 Watt



- Compact 2.3" x 1.45" x 0.5" standard package
- Ultra wide 4:1 input voltage
- Reinforced I/O isolation 5000 VAC
- Certification according to IEC/EN/ES 60601-1 3rd edition for 2 x MOPP
- Risk management process according to ISO 14971
- Low leakage current <2.5 µA
- Operating temp.: -40°C to 80°C
- EMC compliance to IEC 60601-1-2 4th edition and EN 55032 class A
- 5 year product warranty

Pinout / Connection		
Pin	Single	Dual
1	-Vin	-Vin
2	Remote On/Off	Remote On/Off
3	+Vin	+Vin
4	-Vout	-Vout
5	-Sense	-Sense
6	Trim	Common
7	+Sense	+Sense
8	+Vout	+Vout

Model	Input Voltage Range	Output		Efficiency
		Vnom	I _{max}	
THM 60-2411WI	9 – 36 VDC (24 VDC nom.)	5.1 VDC	12.0 A	90%
THM 60-2412WI		12.0 VDC	5.0 A	90%
THM 60-2413WI		15.0 VDC	4.0 A	90%
THM 60-2415WI		24.0 VDC	2.5 A	89%
THM 60-2422WI		±12.0 VDC	±2.5 A	89%
THM 60-2423WI	±15.0 VDC	±2.0 A	90%	
THM 60-4811WI	18 – 75 VDC (48 VDC nom.)	5.1 VDC	12.0 A	90%
THM 60-4812WI		12.0 VDC	5.0 A	90%
THM 60-4813WI		15.0 VDC	4.0 A	90%
THM 60-4815WI		24.0 VDC	2.5 A	90%
THM 60-4822WI		±12.0 VDC	±2.5 A	91%
THM 60-4823WI		±15.0 VDC	±2.0 A	92%

AC/DC converters

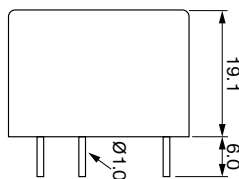
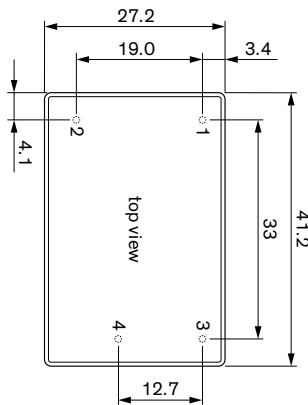
5 – 850 watt

- IEC/EN/ES 60601-1 3rd Edition for 2 × MOPP
- Risk Management ISO 14971
- IPC-A-610 Class 3 High Performance Acceptability
- EMC Emission acc. to IEC 60601-1-2 ed. 4
- Quality Management ISO 13485
- 5-years warranty



TMF 05

5 Watt

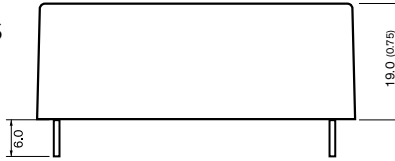
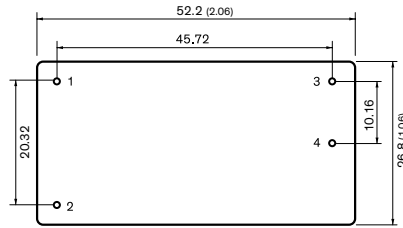


- Fully encapsulated power supplies in plastic casing for PCB mount
- Certification according to IEC/EN/ES 60601-1 3rd edition for 2 × MOPP
- Risk management process according to ISO 14971 including risk management file
- Acceptance criteria for electronic assemblies according to IPC-A-610 Level 3
- Low leakage current <math><100 \mu\text{A}</math> rated for BF applications
- Operating temperature range: -25°C to $+70^{\circ}\text{C}$ max.
- Protection against short-circuit, over load and over voltage
- Protection class II prepared
- 5 year product warranty

Model	Output Voltage	Output Current (max.)	Efficiency (typ.)
TMF 05105	5.0 VDC	1000 mA	77%
TMF 05112	12 VDC	417 mA	82%
TMF 05115	15 VDC	333 mA	82%
TMF 05124	24 VDC	208 mA	82%

Pinout	
Pin	Single
1	AC (L)
2	AC (N)
3	-Vout
4	+Vout

TMF 10 **10 Watt**

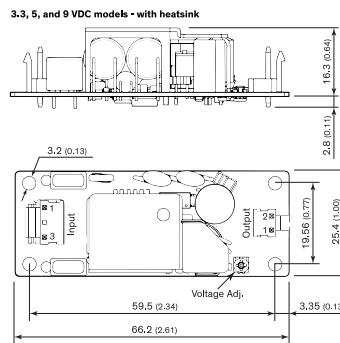
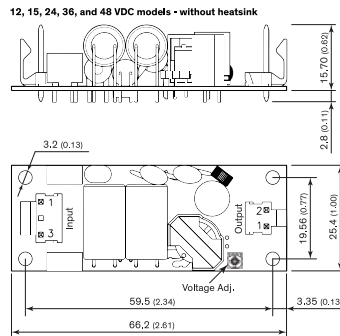


- Fully encapsulated power supplies in plastic casing for PCB mount
- Certification according to IEC/EN/ES 60601-1 3rd edition for 2 x MOPP
- Risk management process according to ISO 14971 including risk management file
- Acceptance criteria for electronic assemblies according to IPC-A-610 Level 3
- Low leakage current <100 µA rated for BF applications
- Operating temperature range: -25°C to +70°C max.
- Protection against short-circuit, over load and over voltage
- Protection class II prepared
- 5 year product warranty

Pinout	
Pin	Single
1	AC (N)
2	AC (L)
3	+Vout
4	-Vout

Model	Output Voltage	Output Current (max.)	Efficiency (typ.)
TMF 10105	5.0 VDC	2000 mA	79%
TMF 10112	12 VDC	833 mA	84%
TMF 10115	15 VDC	666 mA	84%
TMF 10124	24 VDC	417 mA	84%

TPP 15A-J **15 Watt**



- High power density power supply (open frame)
- Certification according to IEC/EN/ES 60601-1 3rd edition for 2 x MOPP
- Low leakage current <75 µA rated for BF applications
- EMC compliance to IEC 60601-1-2 4th edition
- Risk management process according to ISO 14971 incl. risk management file
- Acceptance criteria for electronic assemblies acc. to IPC-A-610 Level 3
- Protection class I and II
- Operating up to 5000 m altitude
- Ready to meet ErP directive, no load power consumption <75 mW
- 5-year product warranty

Pin Connectors			
Input		Output	
Pin	Function	Pin	Function
1	AC (L)	1	-Vout
3	AC (N)	2	+Vout

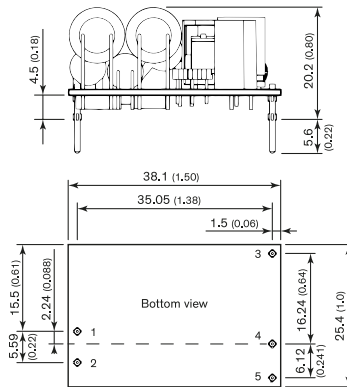
Model	Output Voltage nom. (adjustable)	Output Current max.	Efficiency typ.
TPP 15-103A-J	3.3 VDC (2.97 – 3.63 VDC)	4'000 mA	84%
TPP 15-105A-J	5 VDC (4.5 – 5.5 VDC)	3'000 mA	86%
TPP 15-109A-J	9 VDC (8.1 – 9.9 VDC)	1'670 mA	86%
TPP 15-112A-J	12 VDC (10.8 – 13.2 VDC)	1'250 mA	87%
TPP 15-115A-J	15 VDC (13.5 – 16.5 VDC)	1'000 mA	87%
TPP 15-124A-J	24 VDC (21.6 – 26.4 VDC)	625 mA	88%
TPP 15-136A-J	36 VDC (32.4 – 39.6 VDC)	417 mA	88%
TPP 15-148A-J	48 VDC (43.2 – 52.8 VDC)	313 mA	89%

TPP 15A-D **15 Watt**

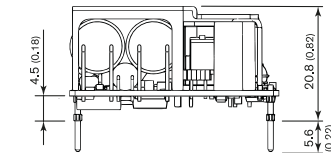


- High power density power supply (open frame)
- Certification according to IEC/EN/ES 60601-1 3rd edition for 2 x MOPP
- Low leakage current <75 µA rated for BF applications
- EMC compliance to IEC 60601-1-2 4th edition
- Risk management process according to ISO 14971 incl. risk management file
- Acceptance criteria for electronic assemblies acc. to IPC-A-610 Level 3
- Protection class II
- Operating up to 5000 m altitude
- Ready to meet ErP directive, no load power consumption <75 mW
- 5-year product warranty

12, 15, 24, 36, and 48 VDC models - without heatsink



3.3, 5, and 9 VDC models - with heatsink



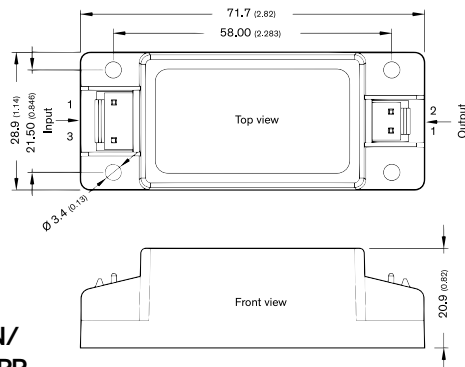
PCB Pinout	
Pin	Function
1	AC (N)
2	AC (L)
3	Trim
4	-Vout
5	+Vout

Model	Output Voltage nom. (adjustable)	Output Current max.	Efficiency typ.
TPP 15-103A-D	3.3 VDC (2.97 – 3.63 VDC)	4'000 mA	84%
TPP 15-105A-D	5 VDC (4.5 – 5.5 VDC)	3'000 mA	86%
TPP 15-109A-D	9 VDC (8.1 – 9.9 VDC)	1'670 mA	86%
TPP 15-112A-D	12 VDC (10.8 – 13.2 VDC)	1'250 mA	87%
TPP 15-115A-D	15 VDC (13.5 – 16.5 VDC)	1'000 mA	87%
TPP 15-124A-D	24 VDC (21.6 – 26.4 VDC)	625 mA	88%
TPP 15-136A-D	36 VDC (32.4 – 39.6 VDC)	417 mA	88%
TPP 15-148A-D	48 VDC (43.2 – 52.8 VDC)	313 mA	89%

TPP 15-J **15 Watt**



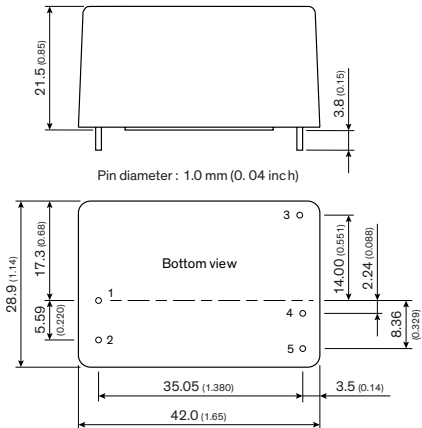
- High power density power supply (encapsulated)
- Certification according to IEC/EN/ES 60601-1 3rd edition for 2 x MOPP
- Low leakage current <75 µA rated for BF applications
- EMC compliance to IEC 60601-1-2 4th edition
- Risk management process according to ISO 14971 incl. risk management file
- Acceptance criteria for electronic assemblies acc. to IPC-A-610 Level 3
- Protection class II
- Operating up to 5000 m altitude
- Ready to meet ErP directive, no load power consumption <75 mW
- 5-year product warranty



Pin Connectors			
Input		Output	
Pin	Function	Pin	Function
1	AC (L)	1	-Vout
3	AC (N)	2	+Vout

Model	Output Voltage nom.	Output Current max.	Efficiency typ.
TPP 15-103-J	3.3 VDC	4'000 mA	84%
TPP 15-105-J	5 VDC	3'000 mA	86%
TPP 15-109-J	9 VDC	1'670 mA	86%
TPP 15-112-J	12 VDC	1'250 mA	87%
TPP 15-115-J	15 VDC	1'000 mA	87%
TPP 15-124-J	24 VDC	625 mA	88%
TPP 15-136-J	36 VDC	417 mA	88%
TPP 15-148-J	48 VDC	313 mA	89%

TPP 15-D **15 Watt**

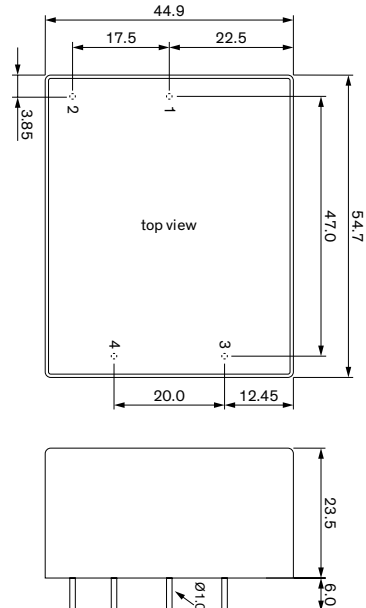


- High power density power supply (encapsulated)
- Certification according to IEC/EN/ES 60601-1 3rd edition for 2 x MOPP
- Low leakage current <75 µA rated for BF applications
- EMC compliance to IEC 60601-1-2 4th edition
- Risk management process according to ISO 14971 incl. risk management file
- Acceptance criteria for electronic assemblies acc. to IPC-A-610 Level 3
- Protection class II
- Operating up to 5000 m altitude
- Ready to meet ErP directive, no load power consumption <75 mW
- 5-year product warranty

Pin Connections	
Pin	Function
1	AC (N)
2	AC (L)
3	Trim
4	-Vout
5	+Vout

Model	Output Voltage nom. *	*adjustable	Output Current max.	Efficiency typ.
TPP 15-103-D	3.3 VDC	2.97 – 3.63 VDC	4'000 mA	84%
TPP 15-105-D	5 VDC	4.5 – 5.5 VDC	3'000 mA	86%
TPP 15-109-D	9 VDC	8.1 – 9.9 VDC	1'670 mA	86%
TPP 15-112-D	12 VDC	10.8 – 13.2 VDC	1'250 mA	87%
TPP 15-115-D	15 VDC	13.5 – 16.5 VDC	1'000 mA	87%
TPP 15-124-D	24 VDC	21.6 – 26.4 VDC	625 mA	88%
TPP 15-136-D	36 VDC	32.4 – 39.6 VDC	417 mA	88%
TPP 15-148-D	48 VDC	43.2 – 52.8 VDC	313 mA	89%

TMF 20 **20 Watt**



- Fully encapsulated power supplies in plastic casing for PCB mount
- Certification according to IEC/EN/ES 60601-1 3rd edition for 2 x MOPP
- Risk management process according to ISO 14971 including risk management file
- Acceptance criteria for electronic assemblies according to IPC-A-610 Level 3
- Low leakage current <100 µA rated for BF applications
- Operating temperature range: -25°C to +70°C max.
- Protection against short-circuit, over load and over voltage
- Protection class II prepared
- 5 year product warranty

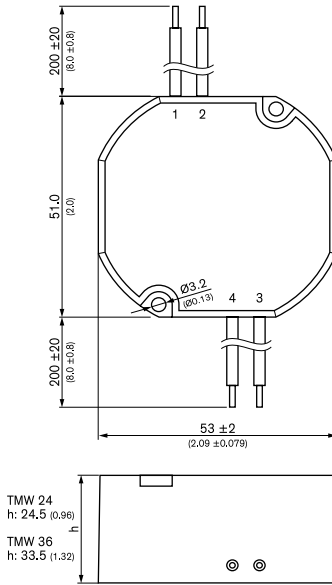
Pinout	
Pin	Single
1	AC (N)
2	AC (L)
3	-Vout
4	+Vout

Model	Output Voltage	Output Current (max.)	Efficiency (typ.)
TMF 20105	5.0VDC	3600 mA	78%
TMF 20112	12 VDC	1667 mA	84%
TMF 20115	15 VDC	1333 mA	84%
TMF 20124	24 VDC	833 mA	84%

TMW 24 **NEW!** **24 Watt**



- Fully encapsulated power supplies in IP68 casing with flying leads
- Certification according to IEC/EN/ES 60601-1 3rd edition for 2 x MOPP
- Risk management process according to ISO 14971 including risk management file
- Effortless flush box mounting
- Fire safety for furniture
- Low leakage current <100 µA rated for BF applications
- Operating temperature range: -20°C to +80°C max.
- Protection against short-circuit, over load and over voltage
- Protection class II prepared
- 5 year product warranty



Pinout / Connection			
Pin	Wire	Color	Type
1	AC (N)	Blue	20AWG/0.52 mm ²
2	AC (L)	Brown	20AWG/0.52 mm ²
3	-Vout	Black	20AWG/0.52 mm ²
4	+Vout	Red	20AWG/0.52 mm ²

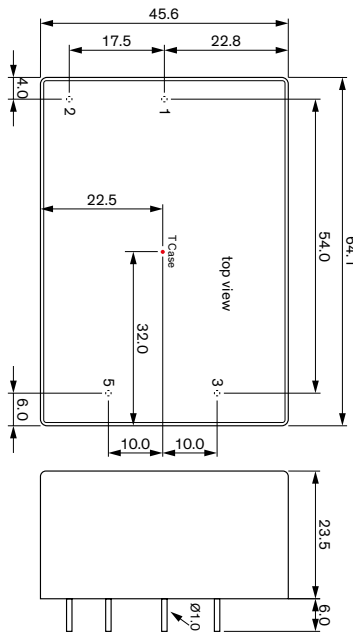
Model	Output Voltage nom.	Output Current max.	Efficiency typ.
TMW 24-105	5 VDC	4000 mA	85%
TMW 24-112	12 VDC	2000 mA	88%
TMW 24-124	24 VDC	1000 mA	89%

* Also available as pin version: suffix -P

TMF 30 **30 Watt**



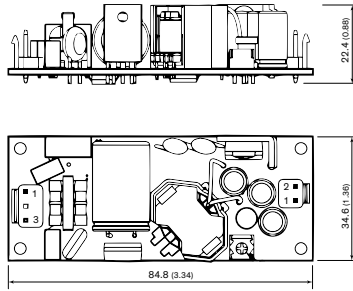
- Fully encapsulated power supplies in plastic casing for PCB mount
- Certification according to IEC/EN/ES 60601-1 3rd edition for 2 x MOPP
- Risk management process according to ISO 14971 including risk management file
- Acceptance criteria for electronic assemblies according to IPC-A-610 Level 3
- Low leakage current <100 µA rated for BF applications
- Operating temperature range: -25°C to +70°C max.
- Protection against short-circuit, over load and over voltage
- Protection class II prepared
- 5 year product warranty



Pinout / Connection	
Pin	Single
1	AC (N)
2	AC (L)
3	-Vout
5	+Vout

Model	Output Voltage	Output Current (max.)	Efficiency (typ.)
TMF 30105	5.0 VDC	5000 mA	82%
TMF 30112	12 VDC	2500 mA	88%
TMF 30115	15 VDC	2000 mA	86%
TMF 30124	24 VDC	1250 mA	85%

TPP 30A-J **30 Watt**

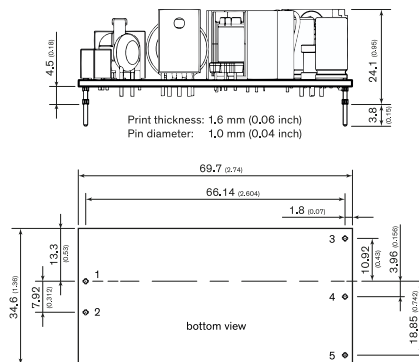


- High power density power supply (open frame)
- Certification according to IEC/EN/ES 60601-1 3rd edition for 2 × MOPP
- Low leakage current <75 µA rated for BF applications
- EMC compliance to IEC 60601-1-2 4th edition
- Risk management process according to ISO 14971 risk management file
- Acceptance criteria for electronic assemblies acc. to IPC-A-610 Level 3
- Protection class I and II
- Operating up to 5000 m altitude
- Ready to meet ErP directive, no load power consumption <60 mW
- 5-year product warranty

Model	Output Voltage nom. (adjustable)	Output Current max.	Efficiency typ.
TPP 30-103A-J	3.3 VDC (2.97 – 3.63 VDC)	6'000 mA	84%
TPP 30-105A-J	5 VDC (4.5 – 5.5 VDC)	6'000 mA	87%
TPP 30-109A-J	9 VDC (8.1 – 9.9 VDC)	3'340 mA	88%
TPP 30-112A-J	12 VDC (10.8 – 13.2 VDC)	2'500 mA	91%
TPP 30-115A-J	15 VDC (13.5 – 16.5 VDC)	2'000 mA	91%
TPP 30-124A-J	24 VDC (21.6 – 26.4 VDC)	1'250 mA	90%
TPP 30-136A-J	36 VDC (32.4 – 39.6 VDC)	840 mA	90%
TPP 30-148A-J	48 VDC (43.2 – 52.8 VDC)	630 mA	92%

Pin Connectors			
Input		Output	
Pin	Function	Pin	Function
1	AC (L)	1	+Vout
3	AC (N)	2	-Vout

TPP 30A-D **30 Watt**

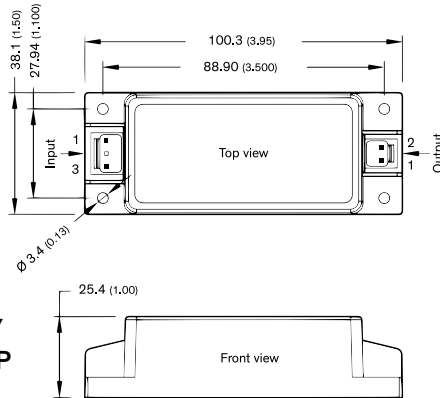


- High power density power supply (open frame)
- Certification according to IEC/EN/ES 60601-1 3rd edition for 2 × MOPP
- Low leakage current <75 µA rated for BF applications
- EMC compliance to IEC 60601-1-2 4th edition
- Risk management process according to ISO 14971 risk management file
- Acceptance criteria for electronic assemblies acc. to IPC-A-610 Level 3
- Protection class II
- Operating up to 5000 m altitude
- Ready to meet ErP directive, no load power consumption <60 mW
- 5-year product warranty

Model	Output Voltage nom. (adjustable)	Output Current max.	Efficiency typ.
TPP 30-103A-D	3.3 VDC (2.97 – 3.63 VDC)	6'000 mA	84%
TPP 30-105A-D	5 VDC (4.5 – 5.5 VDC)	6'000 mA	87%
TPP 30-109A-D	9 VDC (8.1 – 9.9 VDC)	3'340 mA	88%
TPP 30-112A-D	12 VDC (10.8 – 13.2 VDC)	2'500 mA	91%
TPP 30-115A-D	15 VDC (13.5 – 16.5 VDC)	2'000 mA	91%
TPP 30-124A-D	24 VDC (21.6 – 26.4 VDC)	1'250 mA	90%
TPP 30-136A-D	36 VDC (32.4 – 39.6 VDC)	840 mA	90%
TPP 30-148A-D	48 VDC (43.2 – 52.8 VDC)	630 mA	92%

PCB Pinout	
Pin	Function
1	AC (N)
2	AC (L)
3	+Vout
4	-Vout
5	Trim

TPP 30-J **30 Watt**

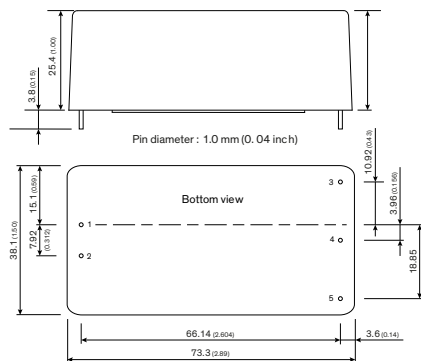


- High power density power supply (encapsulated)
- Certification according to IEC/EN/ES 60601-1 3rd edition for 2 x MOPP
- Low leakage current <75 µA rated for BF applications
- EMC compliance to IEC 60601-1-2 4th edition
- Risk management process according to ISO 14971 incl. risk management file
- Acceptance criteria for electronic assemblies acc. to IPC-A-610 Level 3
- Protection class II
- Operating up to 5000 m altitude
- Ready to meet ErP directive, no load power consumption <60 mW
- 5-year product warranty

Pin Connectors			
Input		Output	
Pin	Function	Pin	Function
1	AC (L)	1	+Vout
3	AC (N)	2	-Vout

Model	Output Voltage nom.	Output Current max.	Efficiency typ.
TPP 30-103-J	3.3 VDC	6'000 mA	84%
TPP 30-105-J	5 VDC	6'000 mA	87%
TPP 30-109-J	9 VDC	3'340 mA	88%
TPP 30-112-J	12 VDC	2'500 mA	91%
TPP 30-115-J	15 VDC	2'000 mA	91%
TPP 30-124-J	24 VDC	1'250 mA	90%
TPP 30-136-J	36 VDC	840 mA	90%
TPP 30-148-J	48 VDC	630 mA	92%

TPP 30-D **30 Watt**



- High power density power supply (encapsulated)
- Certification according to IEC/EN/ES 60601-1 3rd edition for 2 x MOPP
- Low leakage current <75 µA rated for BF applications
- EMC compliance to IEC 60601-1-2 4th edition
- Risk management process according to ISO 14971 incl. risk management file
- Acceptance criteria for electronic assemblies acc. to IPC-A-610 Level 3
- Protection class II
- Operating up to 5000 m altitude
- Ready to meet ErP directive, no load power consumption <60 mW
- 5-year product warranty

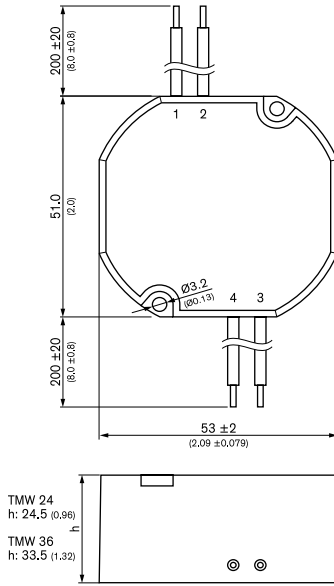
PCB Pinout	
Pin	Function
1	AC (N)
2	AC (L)
3	+Vout
4	-Vout
5	Trim

Model	Output Voltage nom. (adjustable)	Output Current max.	Efficiency typ.
TPP 30-103-D	3.3 VDC (2.97 – 3.63 VDC)	6'000 mA	84%
TPP 30-105-D	5 VDC (4.5 – 5.5 VDC)	6'000 mA	87%
TPP 30-109-D	9 VDC (8.1 – 9.9 VDC)	3'340 mA	88%
TPP 30-112-D	12 VDC (10.8 – 13.2 VDC)	2'500 mA	91%
TPP 30-115-D	15 VDC (13.5 – 16.5 VDC)	2'000 mA	91%
TPP 30-124-D	24 VDC (21.6 – 26.4 VDC)	1'250 mA	90%
TPP 30-136-D	36 VDC (32.4 – 39.6 VDC)	840 mA	90%
TPP 30-148-D	48 VDC (43.2 – 52.8 VDC)	630 mA	92%

TMW 36 **NEW!** **36 Watt**



- Fully encapsulated power supplies in IP68 casing with flying leads
- Certification according to IEC/EN/ES 60601-1 3rd edition for 2 x MOPP
- Risk management process according to ISO 14971 including risk management file
- Effortless flush box mounting
- Fire safety for furniture
- Low leakage current <100 µA rated for BF applications
- Operating temperature range: -20°C to +80°C max.
- Protection against short-circuit, over load and over voltage
- Protection class II prepared
- 5 year product warranty



TMW 24
h: 24.5 (0.96)
TMW 36
h: 33.5 (1.32)

Pinout / Connection				
Pin	Wire	Color	Type	
1	AC (N)	Blue	20AWG/0.52 mm ²	
2	AC (L)	Brown	20AWG/0.52 mm ²	
3	-Vout	Black	20AWG/0.52 mm ²	
4	+Vout	Red	20AWG/0.52 mm ²	

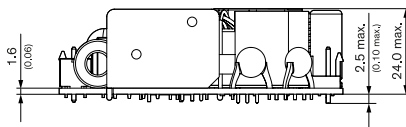
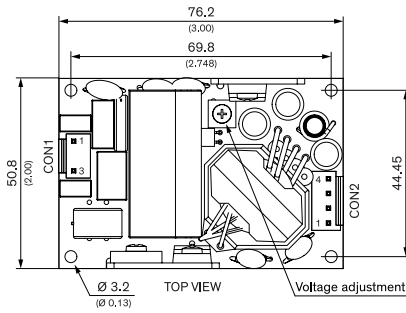
Model	Output Voltage nom.	Output Current max.	Efficiency typ.
TMW 36-112	12 VDC	3.0 A	87%
TMW 36-124	24 VDC	1.5 A	87%

* Also available as pin version: suffix -P

TPP 40A **40 Watt**



- Open frame power supply with pin connector
- Certification according to IEC/EN/ES 60601-1 3rd edition for 2 x MOPP
- Low leakage current <75 µA rated for BF applications
- Risk management process according to ISO 14971 incl. risk management file
- Acceptance criteria for electronic assemblies acc. to IPC-A-610 Level 3
- EMC compliance to IEC 60601-1-2 ed. 4
- Protection class I and II prepared
- Operating up to 5000 m altitude
- Ready to meet ErP directive, <0.15 W no load power consumption
- 5-year product warranty



Pin connectors			
Input (CON1)		Output (CON2)	
Pin	Function	Pin*	Function
1	AC (L)	1, 2	-Vout
3	AC (N)	3, 4	+Vout

Model	Output Voltage nom. (adjustable)	Output 2	Efficiency
TPP 40-105A-J	5 VDC (4.5 – 5.5 VDC)	8000 mA	90%
TPP 40-112A-J	12 VDC (10.8 – 13.2 VDC)	3340 mA	92%
TPP 40-124A-J	24 VDC (21.6 – 26.4 VDC)	1670 mA	92%
TPP 40-148A-J	48 VDC (43.2 – 52.8 VDC)	840 mA	93%

Note - Other output models are available on request.

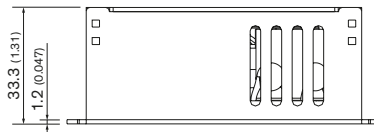
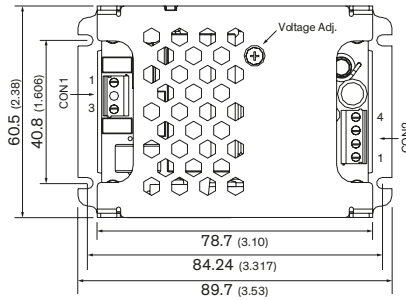
* Terminal rated for 7 A max. (at higher current connection has to be split)

CON1: JST series mates with JST crimp terminal: BVH-21T-P1.1 and terminal housing: VHR-3N

CON2: JST series mates with JST crimp terminal: BVH-21T-P1.1 and terminal housing: VHR-4N

TPP 40

40 Watt



- Enclosed power supply with screw terminal connection
- Certification according to IEC/EN/ES 60601-1 3rd edition for 2 x MOPP
- Low leakage current <75 µA rated for BF applications
- Risk management process according to ISO 14971 incl. risk management file
- Acceptance criteria for electronic assemblies acc. to IPC-A-610 Level 3
- EMC compliance to IEC 60601-1-2 ed. 4
- Protection class I and II
- Operating up to 5000 m altitude
- Ready to meet ErP directive, <0.15 W no load power consumption
- 5-year product warranty

Screw Terminal (Single Output Models)

Input (CON1)		Output (CON2)	
Pin	Function	Pin*	Function
1	AC (L)	1, 2	-Vout
3	AC (N)	3, 4	+Vout

Screw Terminal (Multi Output Models)

Input (CON1)		Output (CON2)	
Pin	Function	Pin*	Function
1	AC (L)	1	Vout 3
3	AC (N)	2, 3	COM
		4, 5	Vout 2
		6	Vout 1

Model	Vout	Iout	Efficiency
TPP 40-105	5 VDC	8.00 A	90%
TPP 40-112	12 VDC	3.34 A	92%
TPP 40-115	15 VDC	2.67 A	92%
TPP 40-124	24 VDC	1.67 A	92%
TPP 40-221	+12/+5 VDC	3.34/6.00 A	89%
TPP 40-231	+15/+5 VDC	2.67/6.00 A	89%
TPP 40-251	+24/+5 VDC	1.67/6.00 A	86%
TPP 40-321M2	+12/+5/-12 VDC	3.34/6.00/0.50 A	88%
TPP 40-331M3	+15/+5/-15 VDC	2.67/6.00/0.50 A	88%
TPP 40-3512	+24/+5/+12 VDC	1.67/6.00/0.50 A	96%

Note
 - Total Power must not exceed 40 W.
 - Other output models are available on request.
 - Multi output models have a common ground.

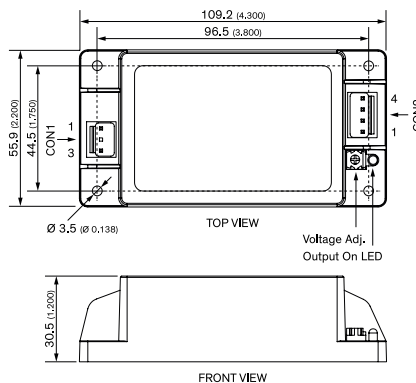
Note (Dimensions)
 - Multi output models 102.4 (4.03) length, 34.5 (1.36) height

* Terminal rated for 10 A max. (at higher current connection has to be split)

TPP 40E-J

NEW!

40 Watt



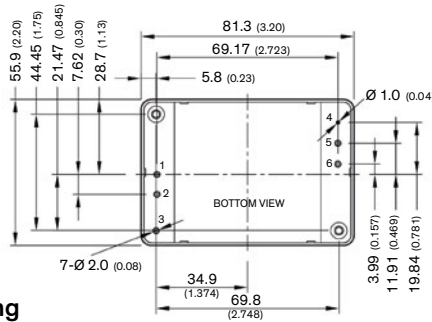
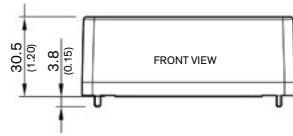
- Encapsulated Chassis mount module in 4.3" x 2.2" package
- IEC/EN/ES 60601-1 3rd ed. 2 x MOPP and IEC/EN/UL 62368-1
- Low leakage current <75 µA rated for BF applications
- Risk management process according to ISO 14971 incl. risk management file
- Acceptance criteria for electronic assemblies acc. to IPC-A-610 Level 3
- EMC compliance according to IEC 60601-1-2 ed. 4
- Protection class I and II prepared
- Operating up to 5000 m altitude
- Ready to meet ErP directive
- 5-year product warranty

Pin connectors

Input (CON1)		Output (CON2)	
Pin	Function	Pin	Function
1	Line	1, 2	-Vout
3	Neutral	3, 4	+Vout

Model	Output Voltage nom. (adjustable)	Output 2	Efficiency
TPP 40-105E-J	5 VDC (4.5 – 5.5 VDC)	8000 mA	90%
TPP 40-112E-J	12 VDC (10.8 – 13.2 VDC)	3340 mA	92%
TPP 40-115E-J	15 VDC (13.5 – 16.5 VDC)	2670 mA	92%
TPP 40-124E-J	24 VDC (21.6 – 26.4 VDC)	1670 mA	92%
TPP 40-136E-J	36 VDC (32.4 – 39.6 VDC)	1120 mA	92%
TPP 40-148E-J	48 VDC (43.2 – 52.8 VDC)	840 mA	93%

TPP 40E-D **NEW!** **40 Watt**

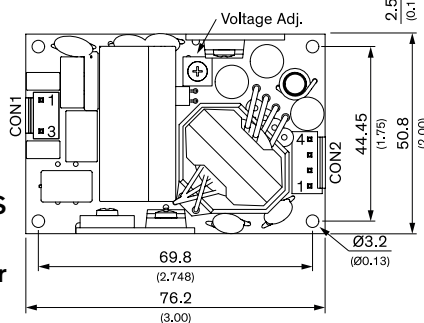
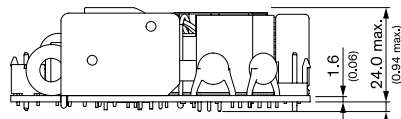


- Encapsulated PCB mount module in 3.2" x 2.2" package
- IEC/EN/ES 60601-1 3rd ed. 2 x MOPP and IEC/EN/UL 62368-1
- Low leakage current <75 µA rated for BF applications
- Risk management process according to ISO 14971 incl. risk management file
- Acceptance criteria for electronic assemblies acc. to IPC-A-610 Level 3
- EMC compliance according to IEC 60601-1-2 ed. 4
- Protection class I and II prepared
- Operating up to 5000 m altitude
- Ready to meet ErP directive
- 5-year product warranty

Pinout	
Pin	Function
1	AC (N)
2	AC (L)
4	Trim
5	-Vout
6	+Vout

Model	Output Voltage nom. (adjustable)	Output 2	Efficiency
TPP 40-105E-D	5 VDC (4.5 – 5.5 VDC)	8000 mA	90%
TPP 40-112E-D	12 VDC (10.8 – 13.2 VDC)	3340 mA	92%
TPP 40-115E-D	15 VDC (13.5 – 16.5 VDC)	2670 mA	92%
TPP 40-124E-D	24 VDC (21.6 – 26.4 VDC)	1670 mA	92%
TPP 40-136E-D	36 VDC (32.4 – 39.6 VDC)	1120 mA	92%
TPP 40-148E-D	48 VDC (43.2 – 52.8 VDC)	840 mA	93%

TPP 65A **65 Watt**



- Open frame power supply with pin connector
- Certification according to IEC/EN/ES 60601-1 3rd edition for 2 x MOPP
- Low leakage current <75 µA rated for BF applications
- Risk management process according ISO 14971 incl. risk management file
- Acceptance criteria for electronic assemblies acc. to IPC-A-610 Level 3
- EMC compliance to IEC 60601-1-2 ed. 4
- Protection class I and II
- Operating up to 5000 m altitude
- Ready to meet ErP directive, <0.15 W no load power consumption
- 5-year product warranty

Pin connectors			
Input (CON1)		Output (CON2)	
Pin	Function	Pin*	Function
1	AC (L)	1, 2	-Vout
3	AC (N)	3, 4	+Vout

Model	Output Voltage nom. (adjustable)	Output 2	Efficiency
TPP 65-105A-J	5 VDC (4.5 – 5.5 VDC)	10000 mA	90%
TPP 65-112A-J	12 VDC (10.8 – 13.2 VDC)	5420 mA	93%
TPP 65-124A-J	24 VDC (21.6 – 26.4 VDC)	2710 mA	94%
TPP 65-148A-J	48 VDC (43.2 – 52.8 VDC)	1360 mA	93%

Note
- Other output models are available on request.

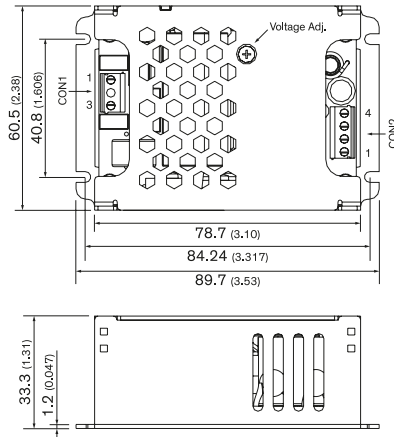
*Terminal rated for 10 A max. (at higher current connection has to be split)

CON1: JST series mates with JST crimp terminal: BVH-21T-P1.1 and terminal housing: VHR-3N

CON2: JST series mates with JST crimp terminal: BVH-21T-P1.1 and terminal housing: VHR-4N

TPP 65

65 Watt



- Enclosed power supply with screw terminal connection
- Certification according to IEC/EN/ES 60601-1 3rd edition for 2 x MOPP
- Low leakage current <75 µA rated for BF applications
- Risk management process according to ISO 14971 incl. risk management file
- Acceptance criteria for electronic assemblies acc. to IPC-A-610 Level 3
- EMC compliance to IEC 60601-1-2 ed. 4
- Protection class I and II
- Operating up to 5000 m altitude
- Ready to meet ErP directive, <0.15 W no load power consumption
- 5-year product warranty

Screw Terminal (Single Output Models)

Input (CON1)		Output (CON2)	
Pin	Function	Pin*	Function
1	AC (L)	1, 2	-Vout
3	AC (N)	3, 4	+Vout

Screw Terminal (Multi Output Models)

Input (CON1)		Output (CON2)	
Pin	Function	Pin*	Function
1	AC (L)	1	Vout 3
3	AC (N)	2, 3	COM
		4, 5	Vout 2
		6	Vout 1

Model	Vout	Iout	Efficiency
TPP 65-105	5 VDC	10.00 A	90%
TPP 65-112	12 VDC	5.42 A	93%
TPP 65-115	15 VDC	4.34 A	94%
TPP 65-124	24 VDC	2.71 A	94%
TPP 65-221	+12/+5 VDC	5.42/8.00 A	90%
TPP 65-231	+15/+5 VDC	4.34/8.00 A	91%
TPP 65-251	+24/+5 VDC	2.71/8.00 A	89%
TPP 65-321M2	+12/+5/-12 VDC	5.42/8.00/0.60 A	89%
TPP 65-331M3	+15/+5/-15 VDC	4.34/8.00/0.60 A	90%
TPP 65-3512	+24/+5/+12 VDC	2.71/8.00/0.60 A	89%

Note
 - Total Power must not exceed 65 W.
 - Other output models are available on request.
 - Multi output models have a common ground.

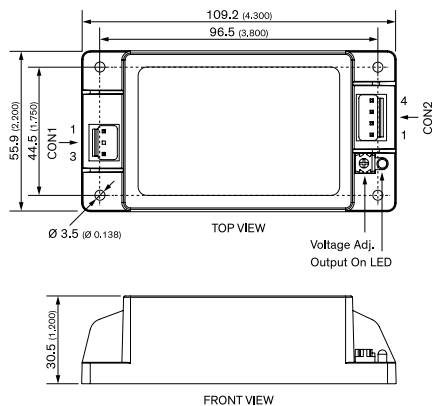
Note (Dimensions)
 - Multi output models 102.4 (4.03) length, 34.5 (1.36) height

* Terminal rated for 10 A max. (at higher current connection has to be split)

TPP 65E-J

NEW!

65 Watt



- Encapsulated Chassis mount module in 4.3" x 2.2" package
- IEC/EN/ES 60601-1 3rd ed. 2 x MOPP and IEC/EN/UL 62368-1
- Low leakage current <75 µA rated for BF applications
- Risk management process according to ISO 14971 incl. risk management file
- Acceptance criteria for electronic assemblies acc. to IPC-A-610 Level 3
- EMC compliance according to IEC 60601-1-2 ed. 4
- Protection class I and II prepared
- Operating up to 5000 m altitude
- Ready to meet ErP directive
- 5-year product warranty

Pin connectors

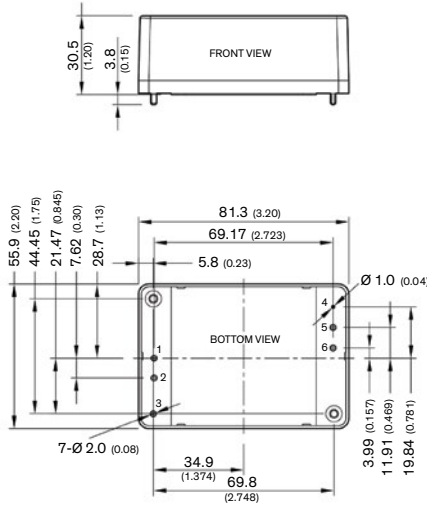
Input (CON1)		Output (CON2)	
Pin	Function	Pin	Function
1	Line	1, 2	-Vout
3	Neutral	3, 4	+Vout

Model	Output Voltage nom. (adjustable)	Output 2	Efficiency
TPP 65-105E-J	5 VDC (4.5 – 5.5 VDC)	10'000 mA	90%
TPP 65-112E-J	12 VDC (10.8 – 13.2 VDC)	5420 mA	93%
TPP 65-115E-J	15 VDC (13.5 – 16.5 VDC)	4340 mA	94%
TPP 65-124E-J	24 VDC (21.6 – 26.4 VDC)	2710 mA	94%
TPP 65-136E-J	36 VDC (32.4 – 39.6 VDC)	1810 mA	93%
TPP 65-148E-J	48 VDC (43.2 – 52.8 VDC)	1360 mA	93%

TPP 65E-D **NEW!** **65 Watt**



- Encapsulated PCB mount module in 3.2" x 2.2" package
- IEC/EN/ES 60601-1 3rd ed. 2 x MOPP and IEC/EN/UL 62368-1
- Low leakage current <75 µA rated for BF applications
- Risk management process according to ISO 14971 incl. risk management file
- Acceptance criteria for electronic assemblies acc. to IPC-A-610 Level 3
- EMC compliance according to IEC 60601-1-2 ed. 4
- Protection class I and II prepared
- Operating up to 5000 m altitude
- Ready to meet ErP directive
- 5-year product warranty



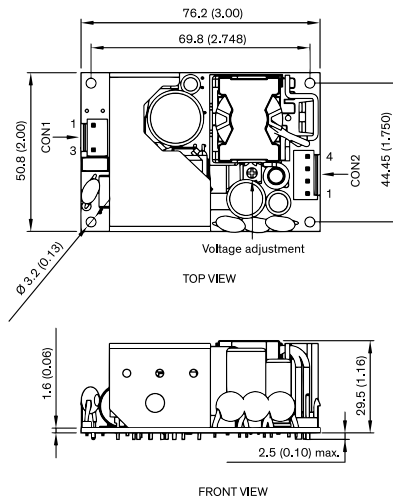
Pinout	
Pin	Function
1	AC (N)
2	AC (L)
3	NC
4	Trim
5	-Vout
6	+Vout

Model	Output Voltage nom. (adjustable)	Output 2	Efficiency
TPP 65-105E-D	5 VDC (4.5 – 5.5 VDC)	10'000 mA	90%
TPP 65-112E-D	12 VDC (10.8 – 13.2 VDC)	5420 mA	93%
TPP 65-115E-D	15 VDC (13.5 – 16.5 VDC)	4340 mA	94%
TPP 65-124E-D	24 VDC (21.6 – 26.4 VDC)	2710 mA	94%
TPP 65-136E-D	36 VDC (32.4 – 39.6 VDC)	1810 mA	93%
TPP 65-148E-D	48 VDC (43.2 – 52.8 VDC)	1360 mA	93%

TPP 100A-J **100 Watt**



- Open frame 100 W power supply with JST connection in 2.0" x 3.0" package
- Certification according to IEC/EN/ES 60601-1 3rd edition for 2 x MOPP
- Low leakage current <75 µA rated for BF applications
- Risk management process according to ISO 14971 incl. risk management file
- Acceptance criteria for electronic assemblies acc. to IPC-A-610 Level 3
- Active power factor correction >0.95
- Protection class I and II prepared
- Operating up to 5000 m altitude
- Ready to meet ErP directive, <0.3 W no load power consumption
- 5-year product warranty



Pin connectors			
Input (CON1)		Output (CON2)	
Pin	Function	Pin*	Function
1	AC (L)	1, 2	-Vout
3	AC (N)	3, 4	+Vout

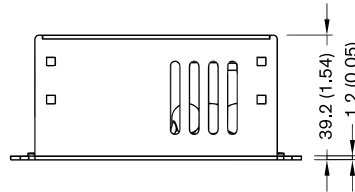
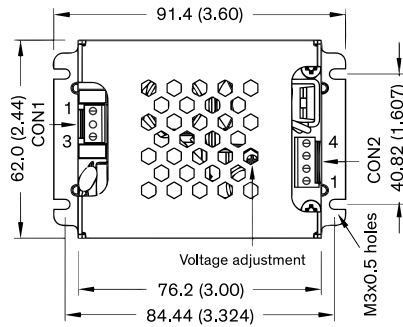
Model	Output Voltage nom. (adjustable)	Output Current max.	Efficiency typ.
TPP 100-112A-J	12 VDC (10.8 – 13.2 VDC)	8340 mA	91%
TPP 100-115A-J	15 VDC (13.5 – 16.5 VDC)	6670 mA	92%
TPP 100-124A-J	24 VDC (21.6 – 26.4 VDC)	4170 mA	92%
TPP 100-128A-J	28 VDC (25.2 – 30.8 VDC)	3580 mA	92%
TPP 100-136A-J	36 VDC (32.4 – 39.6 VDC)	2780 mA	91%
TPP 100-148A-J	48 VDC (43.2 – 52.8 VDC)	2090 mA	91%

*Terminal rated for 7 A max. (at higher current connection has to be split)

CON1: JST series mates with JST crimp terminal: BVH-21T-P1.1 and terminal housing: VHR-3N

CON2: JST series mates with JST crimp terminal: BVH-21T-P1.1 and terminal housing: VHR-4N

TPP 100 **100 Watt**

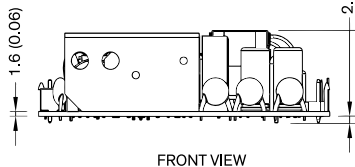
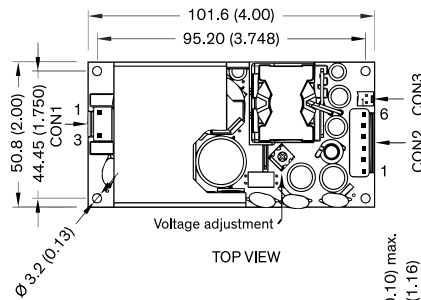


- Encased 100 W power supply with screw connection in 2.44" x 3.6" package
- Certification according to IEC/EN/ES 60601-1 3rd edition for 2 x MOPP
- Low leakage current <75 µA rated for BF applications
- Risk management process according to ISO 14971 incl. risk management file
- Acceptance criteria for electronic assemblies acc. to IPC-A-610 Level 3
- Active power factor correction >0.95
- Protection class I and II prepared
- Operating up to 5000 m altitude
- Ready to meet ErP directive, <0.3 W no load power consumption
- 5-year product warranty

Screw Terminal			
Input (CON1)		Output (CON2)	
Pin	Function	Pin*	Function
1	AC (L)	1, 2	-Vout
3	AC (N)	3, 4	+Vout

Model	Output Voltage nom. (adjustable)	Output Current max.	Efficiency typ.
TPP 100-112	12 VDC (10.8 – 13.2 VDC)	8340 mA	91%
TPP 100-115	15 VDC (13.5 – 16.5 VDC)	6670 mA	92%
TPP 100-124	24 VDC (21.6 – 26.4 VDC)	4170 mA	92%
TPP 100-128	28 VDC (25.2 – 30.8 VDC)	3580 mA	92%
TPP 100-136	36 VDC (32.4 – 39.6 VDC)	2780 mA	91%
TPP 100-148	48 VDC (43.2 – 52.8 VDC)	2090 mA	91%

TPP 150A-J **150 Watt**



- Open frame 150 W power supply with JST connection in 2.0" x 4.0" package
- Certification according to IEC/EN/ES 60601-1 3rd edition for 2 x MOPP
- Low leakage current <100 µA rated for BF applications
- Risk management process according ISO 14971 incl. risk management file
- Acceptance criteria for electronic assemblies acc. to IPC-A-610 Level 3
- Active power factor correction >0.95
- Protection class I and II prepared
- Operating up to 5000 m altitude
- Ready to meet ErP directive, <0.3 W no load power consumption
- 5-year product warranty

Pin connectors			
Input (CON1)		Output (CON2)	
Pin	Function	Pin*	Function
1	AC (L)	1-3	-Vout
3	AC (N)	4-6	+Vout

Input (CON3)	
Pin	Function
1	-Fan
2	+Fan

Model	Output Voltage nom. (adjustable)	Output Current max. (Forced air cooling)	Efficiency typ.
TPP 150-112A-J	12 VDC (10.8 – 13.2 VDC)	12'500 mA	91%
TPP 150-115A-J	15 VDC (13.5 – 16.5 VDC)	10'000 mA	92%
TPP 150-124A-J	24 VDC (21.6 – 26.4 VDC)	6'250 mA	92%
TPP 150-128A-J	28 VDC (25.2 – 30.8 VDC)	5'360 mA	92%
TPP 150-136A-J	36 VDC (32.4 – 39.6 VDC)	4'170 mA	92%
TPP 150-148A-J	48 VDC (43.2 – 52.8 VDC)	3'130 mA	92%

Output Current max. (Natural convection):
 8340 mA
 7340 mA
 4590 mA
 3930 mA
 3060 mA
 2090 mA

*Terminal rated for 7 A max. (at higher current connection has to be split)

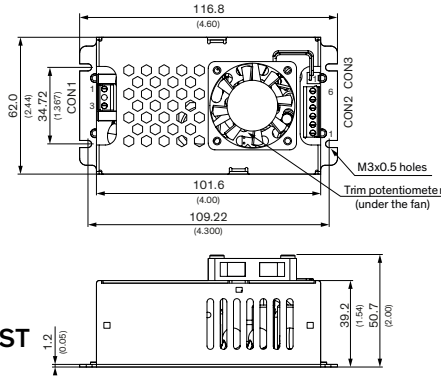
CON1: JST series mates with JST crimp terminal: SVH-21T-P1.1 and terminal housing: VHR-3N

CON2: JST series mates with JST crimp terminal: SVH-21T-P1.1 and terminal housing: VHR-6N

CON3: Molex series mates with Molex crimp terminals: 2759 and Molex housing: 22-01-1022

TPP 150

150 Watt



- Encased 150 W power supply with JST connection in 2.44" x 4.6" package
- Certification according to IEC/EN/ES 60601-1 3rd edition for 2 x MOPP
- Low leakage current <100 µA rated for BF applications
- Risk management process according ISO 14971 incl. risk management file
- Acceptance criteria for electronic assemblies acc. to IPC-A-610 Level 3
- Active power factor correction >0.95
- Protection class I and II prepared
- Operating up to 5000 m altitude
- Ready to meet ErP directive, <0.3 W no load power consumption
- 5-year product warranty

Connections			
Input (CON1)		Output (CON2)	
Pin	Function	Pin*	Function
1	AC (L)	1-3	-Vout
3	AC (N)	4-6	+Vout

Input (CON3)	
Pin	Function
1	-Fan
2	+Fan

Model	Output Voltage nom. (adjustable)	Output Current max.	Efficiency typ.
TPP 150-112	12 VDC (10.8 – 13.2 VDC)	12500 mA	91%
TPP 150-115	15 VDC (13.5 – 16.5 VDC)	10000 mA	92%
TPP 150-124	24 VDC (21.6 – 26.4 VDC)	6250 mA	92%
TPP 150-128	28 VDC (25.2 – 30.8 VDC)	5360 mA	92%
TPP 150-136	36 VDC (32.4 – 39.6 VDC)	4170 mA	92%
TPP 150-148	48 VDC (43.2 – 52.8 VDC)	3130 mA	92%

*Terminal rated for 7 A max. (at higher current connection has to be split)

CON1: Screw Terminal

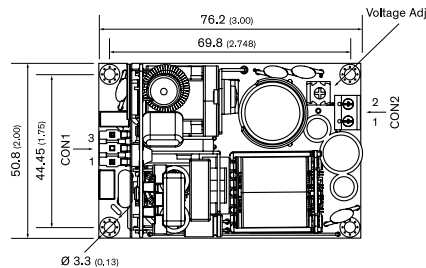
CON2: Screw Terminal

CON3: Molex series mates with Molex crimp terminals: 2759 and Molex housing: 22-01-1022

TPP 180A-M

NEW!

180 Watt



- 180 Watt open frame power supply in 3" x 2" package
- IEC/EN/ES 60601-1 3rd ed. 2 x MOPP and IEC/EN/UL 62368-1
- Low leakage current <100 µA rated for BF applications
- Risk management process according to ISO 14971 incl. risk management file
- Acceptance criteria for electronic assemblies acc. to IPC-A-610 Level 3
- EMC compliance according to IEC 60601-1-2 ed. 4
- Protection class II prepared
- Operating up to 5000 m altitude
- Ready to meet ErP directive
- 5-year product warranty

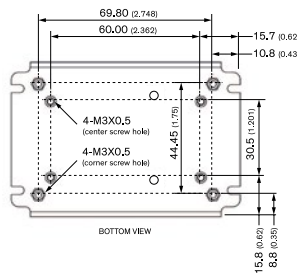
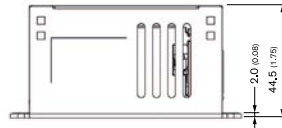
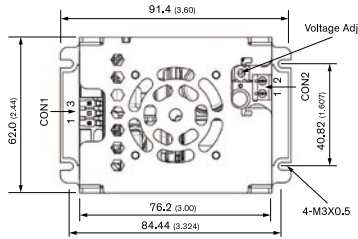
Pin connectors			
Input (CON1)		Output (CON2)	
Pin	Function	Pin*	Function
1	AC (N) / DC-	1	-Vout
3	AC (L) / DC+	2	+Vout

Model	Output Voltage nom.	Output Current max.	Efficiency typ.
TPP 180-112A-M	12 VDC (11.0 – 13.0 VDC)	15 A	92%
TPP 180-115A-M	15 VDC (13.8 – 16.2 VDC)	12 A	92%
TPP 180-124A-M	24 VDC (22.1 – 25.9 VDC)	7.5 A	94%
TPP 180-136A-M	36 VDC (33.1 – 38.9 VDC)	5 A	93%
TPP 180-148A-M	48 VDC (44.2 – 51.8 VDC)	3.75 A	93%
TPP 180-153A-M	53 VDC (48.8 – 57.2 VDC)	3.40 A	93%

TPP 180-M

NEW!

180 Watt



Pinout			
CON1		CON2	
Pin	Function	Pin	Function
1	AC (N) / DC-	1	+Vout
3	AC (L) / DC+	2	-Vout

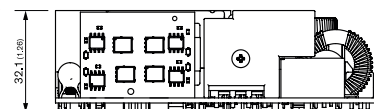
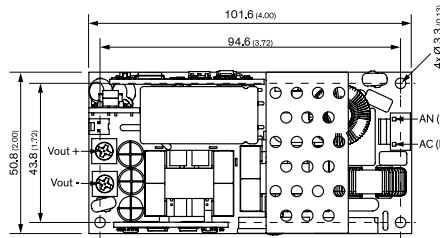
- 180 Watt encased power supply in 3.6" x 2.44" package
- IEC/EN/ES 60601-1 3rd ed. 2 x MOPP and IEC/EN/UL 62368-1
- Low leakage current <100 µA rated for BF applications
- Risk management process according to ISO 14971 incl. risk management file
- Acceptance criteria for electronic assemblies acc. to IPC-A-610 Level 3
- EMC compliance according to IEC 60601-1-2 ed. 4
- Protection class II prepared
- Operating up to 5000 m altitude
- Ready to meet ErP directive
- 5-year product warranty

Model	Output Voltage nom. (adjustable)	Output Current max.	Efficiency typ.
TPP 180-112-M	12 VDC (11.0 – 13.0 VDC)	15 A	92%
TPP 180-115-M	15 VDC (13.8 – 16.2 VDC)	12 A	92%
TPP 180-124-M	24 VDC (22.1 – 25.9 VDC)	7.5 A	94%
TPP 180-136-M	36 VDC (33.1 – 38.9 VDC)	5 A	93%
TPP 180-148-M	48 VDC (44.2 – 51.8 VDC)	3.75 A	93%
TPP 180-153-M	53 VDC (48.8 – 57.2 VDC)	3.40 A	93%

TPP 250A

NEW – under development

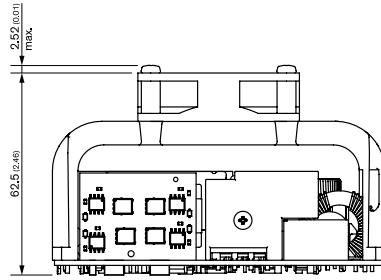
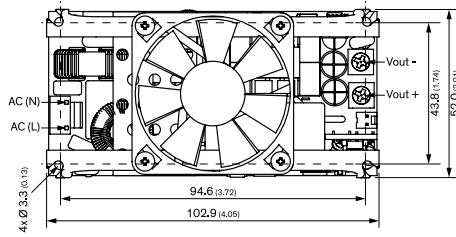
250 Watt



- 250 Watt open frame power supply in 4" x 2" package
- Industrial (62368-1), Medical (60601-1, 2 x MOPP) and Household (60335-1) approvals
- EMC compliance to IEC/EN 60601-1-2 4th edition
- Operating temperature range -40°C to +70°C
- Active PFC > 0.95
- High efficiency up to 94%
- Isolation (4000 VAC) and leakage current (<100 µA) rated for BF applications
- Operating up to 5000 m altitude
- 5-year product warranty

Model	Output Voltage nom. (adjustable)	Output Current max.	Efficiency typ.
TPP 250-112A	12 VDC (12 – 12.36 VDC)	20.8 A	tbd
TPP 250-124A	24 VDC (24 – 24.72 VDC)	10.4 A	tbd
TPP 250-128A	28 VDC (28 – 28.84 VDC)	8.9 A	tbd
TPP 250-136A	36 VDC (36 – 37.08 VDC)	7 A	tbd
TPP 250-148A	48 VDC (48 – 49.44 VDC)	5.2 A	tbd

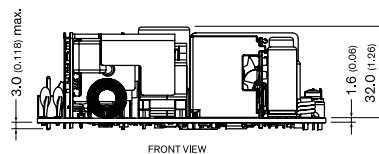
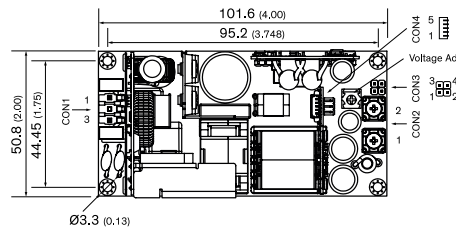
TPP 250A-FK **NEW – under development** **250 Watt**



- 250 Watt open frame power supply in 4" x 2" package with Fan-Kit
- Industrial (62368-1), Medical (60601-1, 2 x MOPP) and Household (60335-1) approvals
- EMC compliance to IEC/EN 60601-1-2 4th edition
- Operating temperature range -40°C to +70°C
- Active PFC > 0.95
- High efficiency up to 94%
- Isolation (4000 VAC) and leakage current (<100 µA) rated for BF applications
- Operating up to 5000 m altitude
- 5-year product warranty

Model	Output Voltage nom. (ajustable)	Output Current max.	Efficiency typ.
TPP 250-112A-FK	12 VDC (12 – 12.36 VDC)	20.8 A	tbd
TPP 250-124A-FK	24 VDC (24 – 24.72 VDC)	10.4 A	tbd
TPP 250-128A-FK	28 VDC (28 – 28.84 VDC)	8.9 A	tbd
TPP 250-136A-FK	36 VDC (36 – 37.08 VDC)	7 A	tbd
TPP 250-148A-FK	48 VDC (48 – 49.44 VDC)	5.2 A	tbd

TPP 300A-M **NEW!** **300 Watt**



- 300 Watt open frame power supply in 4" x 2" package
- IEC/EN/ES 60601-1 3rd ed. 2 x MOPP and IEC/EN/UL 62368-1
- Low leakage current <100 µA rated for BF applications
- Risk management process according to ISO 14971 incl. risk management file
- Acceptance criteria for electronic assemblies acc. to IPC-A-610 Level 3
- EMC compliance according to IEC 60601-1-2 ed. 4
- Protection class II prepared
- Operating up to 5000 m altitude
- Ready to meet ErP directive
- 5-year product warranty

Model	Output Voltage nom. (ajustable)	Output Current max.	Efficiency typ.
TPP 300-112A-M	12 VDC (10.8 – 13.2 VDC)	25 A	91%
TPP 300-115A-M	15 VDC (13.5 – 16.5 VDC)	20 A	92%
TPP 300-124A-M	24 VDC (21.6 – 26.4 VDC)	12.5 A	93%
TPP 300-136A-M	36 VDC (32.4 – 39.6 VDC)	8.3 A	93%
TPP 300-148A-M	48 VDC (43.2 – 52.8 VDC)	6.25 A	93%
TPP 300-153A-M	53 VDC (47.7 – 58.3 VDC)	5.67 A	93%

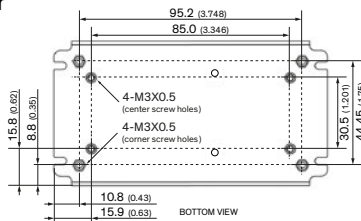
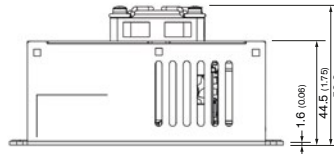
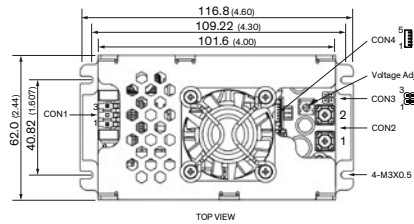
Input		Output	
CON1		CON2	
Pin	Function	Pin	Function
1	AC (L) / DC (+)	1	+Vout
3	AC (N) / DC (-)	2	-Vout

Auxiliary		Auxiliary	
CON3		CON4	
Pin	Function	Pin	Function
1	+Fan	1	+Standby
2	-Fan	2	-Standby
3	+Sense	3	PG
4	-Sense	4	-Remote
		5	+Remote

TPP 300-M

NEW!

300 Watt



Input	
CON1	
Pin	Function
1	AN (N)
2	-
3	AC (L)

Output	
CON2	
Pin	Function
1	+Vout
2	-Vout

Model	Output Voltage nom. (adjustable)	Output Current max.	Efficiency typ.
TPP 300-112-M	12 VDC (10.8 – 13.2 VDC)	25 A	91%
TPP 300-115-M	15 VDC (13.5 – 16.5 VDC)	20 A	91%
TPP 300-124-M	24 VDC (21.6 – 26.4 VDC)	12.5 A	93%
TPP 300-136-M	36 VDC (32.4 – 39.6 VDC)	8.3 A	93%
TPP 300-148-M	48 VDC (43.2 – 52.8 VDC)	6.25 A	93%
TPP 300-153-M	53 VDC (47.7 – 58.3 VDC)	5.67 A	93%

Max. screw penetration depth: 3.3 (0.130)

Setup screw locked torque: max. 2.5 kgfcm / 0.25 Nm

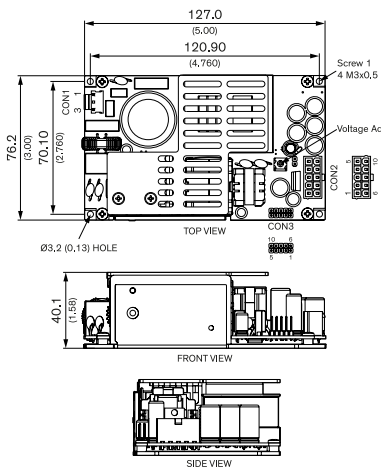
CON2 screw locked torque: max. 16.8 kgfcm / 1.65 Nm wires 24 – 14 AWG

Auxiliary		Auxiliary	
CON3		CON4	
Pin	Function	Pin	Function
1	+Fan	1	+Standby
2	-Fan	2	-Standby
3	+Sense	3	PG
4	-Sense	4	Control
		5	Remote

- 300 Watt encased power supply in 4.6" x 2.44" package
- IEC/EN/ES 60601-1 3rd ed. 2 x MOPP and IEC/EN/UL 62368-1
- Low leakage current <100 µA rated for BF applications
- Risk management process according to ISO 14971 incl. risk management file
- Acceptance criteria for electronic assemblies acc. to IPC-A-610 Level 3
- EMC compliance according to IEC 60601-1-2 ed. 4
- Protection class II prepared
- Operating up to 5000 m altitude
- Ready to meet ErP directive
- 5-year product warranty

TPP 450BA

450 Watt



Input	
CON1	
Pin	Function
1	AC (L)
3	AC (N)

Output	
CON2	
Pin*	Function
1-5	+Vout
6-10	-Vout

Auxiliary	
CON3	
Pin	Function
1	+Fan
2	+Sense
3	+Remote
4	PG
5	+Standby
6	-Fan
7	-Sense
8	-Remote
9	No Pin
10	-Standby

Model	Output Voltage nom. (adjustable)	Output Current max. (Forced air cooling)	Efficiency typ.
TPP 450-112BA-M	12 VDC (11.0 – 13.0 VDC)	37'500 mA	91%
TPP 450-115BA-M	15 VDC (13.8 – 16.2 VDC)	30'000 mA	92%
TPP 450-124BA-M	24 VDC (22.1 – 25.9 VDC)	18'750 mA	93%
TPP 450-128BA-M	28 VDC (25.8 – 30.2 VDC)	16'100 mA	93%
TPP 450-136BA-M	36 VDC (33.1 – 38.9 VDC)	12'500 mA	93%
TPP 450-148BA-M	48 VDC (44.2 – 51.8 VDC)	9'400 mA	94%
TPP 450-153BA-M	53 VDC (48.8 – 57.2 VDC)	8'550 mA	94%

Output Current max. (Natural convection):

- 20'800 mA
- 16'600 mA
- 13'300 mA
- 11'400 mA
- 8'900 mA
- 6'650 mA
- 6'050 mA

*Terminal rated for 13 A max. (at higher current connection has to be split)

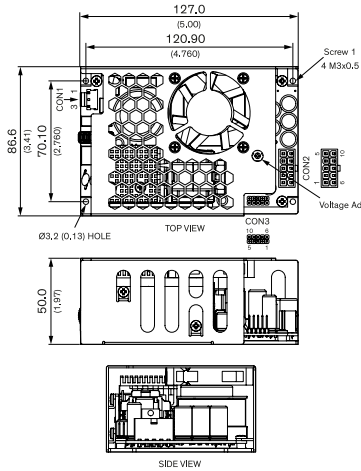
CON1:
Molex housing:
09-50-8031
Molex crimp terminals:
2478,6838,45570

CON2:
Molex housing:
39-01-2105
Molex crimp terminals:
5556,45750

CON3:
Molex housing:
90143-0010
Molex crimp terminals:
90119

- 450 Watt open frame power supply in 5" x 3" package
- 450 Watt with forced air cooling, up to 320 Watt convection cooled without derating up to 50°C
- Industrial (62368-1) and Medical (60601-1, 2 x MOPP) approvals
- EMC compliance to IEC/EN 60601-1-2 4th edition
- Protection Class II prepared
- Risk management process according to ISO 14971 incl. risk management file
- Isolation (4000 VAC) and leakage current (<100 µA) rated for BF applications
- 5 V standby output, Remote On/Off, DC-OK Signal, variable fan speed
- Operating up to 5000 m altitude
- 5-year product warranty

TPP 450B **450 Watt**



- 450 Watt encased power supply in 5.8" x 3" package
- 450 Watt with forced air cooling, up to 320 Watt convection cooled without derating up to 50°C
- Industrial (62368-1) and Medical (60601-1, 2 x MOPP) approvals
- EMC compliance to IEC/EN 60601-1-2 4th edition
- Protection Class II prepared
- Risk management process according to ISO 14971 incl. risk management file
- Isolation (4000 VAC) and leakage current (<100 µA) rated for BF applications
- 5 V standby output, Remote On/Off, DC-OK Signal, variable fan speed
- Operating up to 5000 m altitude
- 5-year product warranty

Input		Auxiliary	
CON1		CON3	
Pin	Function	Pin	Function
1	AC (L)	1	+Fan
3	AC (N)	2	+Sense
Output		3	+Remote
		4	PG
CON2		5	+Standby
Pin*	Function	6	-Fan
1-5	-Vout	7	-Sense
6-10	+Vout	8	-Remote
		9	No Pin
		10	-Standby

Model	Output Voltage nom. (adjustable)	Output Current max.	Efficiency typ.
TPP 450-112B-M	12 VDC (11.0 – 13.0 VDC)	37'500 mA	91%
TPP 450-115B-M	15 VDC (13.8 – 16.2 VDC)	30'000 mA	92%
TPP 450-124B-M	24 VDC (22.1 – 25.9 VDC)	18'750 mA	93%
TPP 450-128B-M	28 VDC (25.8 – 30.2 VDC)	16'100 mA	93%
TPP 450-136B-M	36 VDC (33.1 – 38.9 VDC)	12'500 mA	93%
TPP 450-148B-M	48 VDC (44.2 – 51.8 VDC)	9'400 mA	94%
TPP 450-153B-M	53 VDC (48.8 – 57.2 VDC)	8'550 mA	94%

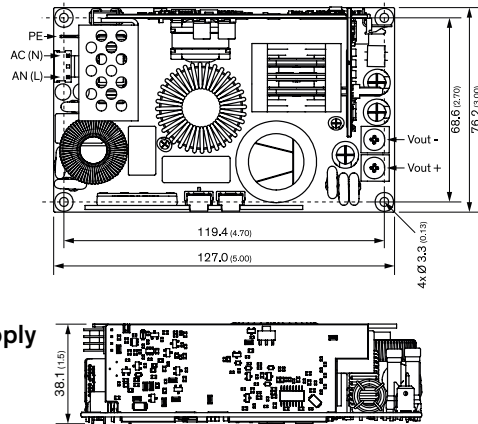
*Terminal rated for 13 A max. (at higher current connection has to be split)

CON1:
Molex housing: 09-50-8031
Molex crimp terminals: 2478,6838,45570

CON2:
Molex housing: 39-01-2105
Molex crimp terminals: 5556,45750

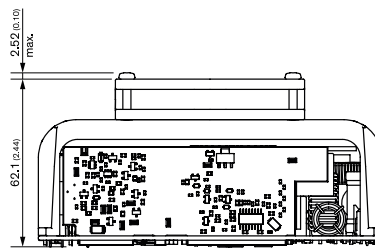
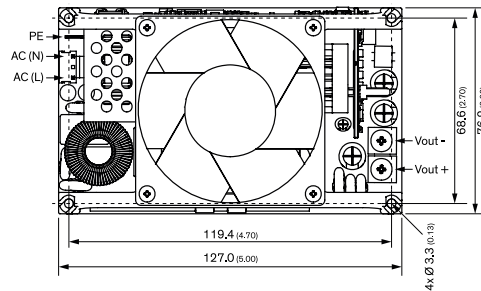
CON3:
Molex housing: 90143-0010
Molex crimp terminals: 90119

TPP 600A **NEW – under development** **600 Watt**



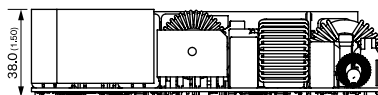
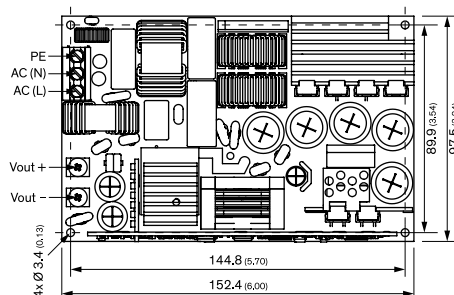
- 600 Watt open frame power supply in 5" x 3" package
- Industrial (62368-1), Medical (60601-1, 2 x MOPP) and Household (60335-1) approvals
- EMC compliance to IEC/EN 60601-1-2 4th edition
- Operating temperature range -40°C to +70°C
- Active PFC > 0.95
- High efficiency up to 94%
- Isolation (4000 VAC) and leakage current (<100 µA) rated for BF applications
- Operating up to 5000 m altitude
- 5-year product warranty

Model	Output Voltage nom. (adjustable)	Output Current max.	Efficiency typ.
TPP 600-124A	24 VDC (24 – 24.72 VDC)	25 A	tbd
TPP 600-128A	28 VDC (28 – 28.84 VDC)	21.4 A	tbd
TPP 600-136A	36 VDC (36 – 37.08 VDC)	16.7 A	tbd
TPP 600-148A	48 VDC (48 – 49.44 VDC)	12.5 A	tbd

TPP 600A-FK **NEW – under development**
600 Watt


- 600 Watt open frame power supply in 5" x 3" package with Fan-Kit
- Industrial (62368-1), Medical (60601-1, 2 x MOPP) and Household (60335-1) approvals
- EMC compliance to IEC/EN 60601-1-2 4th edition
- Operating temperature range -40°C to +70°C
- Active PFC > 0.95
- High efficiency up to 94%
- Isolation (4000 VAC) and leakage current (<100 µA) rated for BF applications
- Operating up to 5000 m altitude
- 5-year product warranty

Model	Output Voltage nom. (adjustable)	Output Current max.	Efficiency typ.
TPP 600-124A-FK	24 VDC (24 – 24.72 VDC)	25 A	tbd
TPP 600-128A-FK	28 VDC (28 – 28.84 VDC)	21.4 A	tbd
TPP 600-136A-FK	36 VDC (36 – 37.08 VDC)	16.7 A	tbd
TPP 600-148A-FK	48 VDC (48 – 49.44 VDC)	12.5 A	tbd

TPP 850A **NEW!**
850 Watt


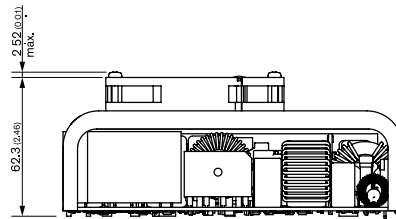
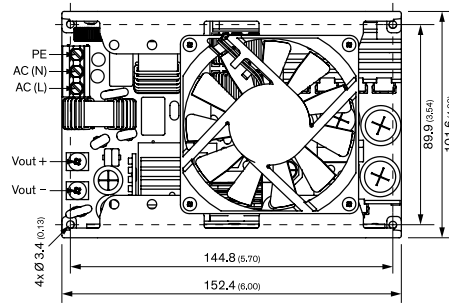
- 850 Watt open frame power supply in 6" x 4" package
- Industrial (62368-1), Medical (60601-1, 2 x MOPP) and Household (60335-1) approvals
- EMC compliance to IEC/EN 60601-1-2 4th edition
- Operating temperature range -40°C to +70°C
- Active PFC > 0.95
- High efficiency up to 94%
- Isolation (4000 VAC) and leakage current (<100 µA) rated for BF applications
- Operating up to 5000 m altitude
- 5-year product warranty

Model	Output Voltage nom. (adjustable)	Output Current max.	Efficiency typ.
TPP 850-124A	24 VDC (24 – 24.72 VDC)	35.4 A	tbd
TPP 850-128A	28 VDC (28 – 28.84 VDC)	30.4 A	tbd
TPP 850-136A	36 VDC (36 – 37.08 VDC)	23.6 A	tbd
TPP 850-148A	48 VDC (48 – 49.44 VDC)	17.7 A	tbd

TPP 850A-FK

NEW!

850 Watt



- 850 Watt open frame power supply in 6" x 4" package with Fan-Kit
- Industrial (62368-1), Medical (60601-1, 2 x MOPP) and Household (60335-1) approvals
- EMC compliance to IEC/EN 60601-1-2 4th edition
- Operating temperature range -40°C to +70°C
- Active PFC > 0.95
- High efficiency up to 94%
- Isolation (4000 VAC) and leakage current (<100 µA) rated for BF applications
- Operating up to 5000 m altitude
- 5-year product warranty

Model	Output Voltage nom. (adjustable)	Output Current max.	Efficiency typ.
TPP 850-124A-FK	24 VDC (24 – 24.72 VDC)	35.4 A	tbd
TPP 850-128A-FK	28 VDC (28 – 28.84 VDC)	30.4 A	tbd
TPP 850-136A-FK	36 VDC (36 – 37.08 VDC)	23.6 A	tbd
TPP 850-148A-FK	48 VDC (48 – 49.44 VDC)	17.7 A	tbd

TRACO POWER dedicated to design and production of high quality, state-of-the-art DC/DC & AC/DC power conversion products. Our mission is to provide optimal power supply solutions for specific applications with regard to performance, quality, cost and functionality.

TRACO POWER stocks an average of USD 25+ million in available finished goods inventory for immediate shipment through our distribution partners.

TRACO POWER offers extended product life-cycles, typically 10+ years, and our products are supported by a 5 year product warranty. We understand our customers require a high quality solution as well as a diverse product offering, availability from stock, extended life-cycles and a strong commitment to quality in the form of extended warranty to support their business.

Our other selection guides / catalogues



International Office

Traco Electronic AG
Sihlbruggstrasse 111
6340 Baar
Switzerland

P +41 43 311 45 11
F +41 43 311 45 45
info@tracopower.com

German Office

Traco Electronic GmbH
Oskar-Messter-Str. 20a
85737 Ismaning/München
Germany

P +49 89 96 11 82-0
F +49 89 96 11 82-20
info@tracopower.de

French Office

Traco Power France
17, rue de la Vanne
92120 Montrouge
France

M +33 (0)6 72 11 52 21
info@tracopower.fr

North America Office

Traco Power North America, Inc.
2025 Gateway Place #330
SAN JOSE, CA 95110
USA

P +1 (408) 916-4570
F +1 (408) 916-4571
salesusa@tracopower.com

Design & Development

Traco Power Solutions Ltd.
Whitemill Industrial Estate
Whitemill Road, Wexford
Y35 YH66, Ireland

P +353 53 9167 700
F +353 53 9167 701
info@tracopower.ie